

PRODUCT
CATALOGUE

OBLO
LIVING

SMART HOME SOLUTIONS

OBLO LIVING

OBLO Living (shortly OBLO) is a smart home company built on a passion for innovation and high-quality products and solutions.

OBLO combines end-to-end software solution for home automation with in-house developed home automation devices and devices from our partners to cover lighting, security, safety, energy management and other aspects of the fast-growing home automation market.

We strive to make your everyday life easier by keeping you and your home safe, more efficient and more comfortable.

HOW OBLO LIVING HOME AUTOMATION SYSTEM WORKS?

In OBLO home automation system the four elements work together to create your perfect smart home: Applications, Home Automation (HA) Gateway, Cloud and Nodes



APPLICATIONS

By providing an intuitive, easy to use app for major mobile platforms (Android and iOS) and web browser based devices (HTML), we ensure fine-grade control of your home at no effort. With OBLO Living app you can always keep an eye on your home. The app will help you to monitor and control your entire home no matter where you are.

HA GATEWAY

The central place in OBLO home automation system is reserved for a home automation gateway device, which serves as a brain of the system. It is a central device that integrates the OBLO products into an intelligent system and allows you to monitor and control them from the OBLO Living app.

CLOUD

OBLO cloud plays an important role in OBLO home automation system, since it enables home control and monitoring from any location. Built around modern web technologies, it ensures the highest security and robustness with the lowest latency in home automation communication chain.

NODES

By using OBLO Living nodes together with free mobile app and a gateway, you will turn your home into a smart home in few simple steps. Whether you want to control your lights, indoor temperature, power consumption or something else, OBLO nodes are at your service.

USE CASES



LIGHTING

- Remotely control your lights
- Automatically turn on/off lights
- Set ambient light based on your mood
- Change the color of your lights



SECURITY

- Monitor your home via IP camera
- Detect emergency situations
- Get notified about security flaws in your home
- Keep your home safe from potential burglars



ENERGY

- Remotely control heating and cooling systems
- Monitor power consumption of home appliances
- Control your home in a smarter way to reduce energy bills
- Get notified about high energy consumption sources



COMFORT

- Create your morning scene for the perfect start of the day
- Control devices without leaving your seat
- Monitor temperature, light intensity and humidity in your home
- Get outdoor weather information

PRODUCTS

APPLICATIONS

p.10

HA GATEWAY

p.12

NODES

p.14

PARTNER NODES

p.26



Applications

OBLO allows you to control and monitor your entire home with one simple app. See statuses, change settings, control devices, create your own scenes and receive notifications with ease.

By providing easy to use app, we ensure fine-grade control of your home at no effort.

SUPPORTED PLATFORMS

OBLO app is available for Android and iOS smartphones and tablets. Additionally, we offer an app for web browser based devices (HTML).



SERVICES

DEVICES BY LOCATION

The end user can control and monitor devices by their location (e.g. living room, kitchen, etc.)

DEVICES BY TYPE

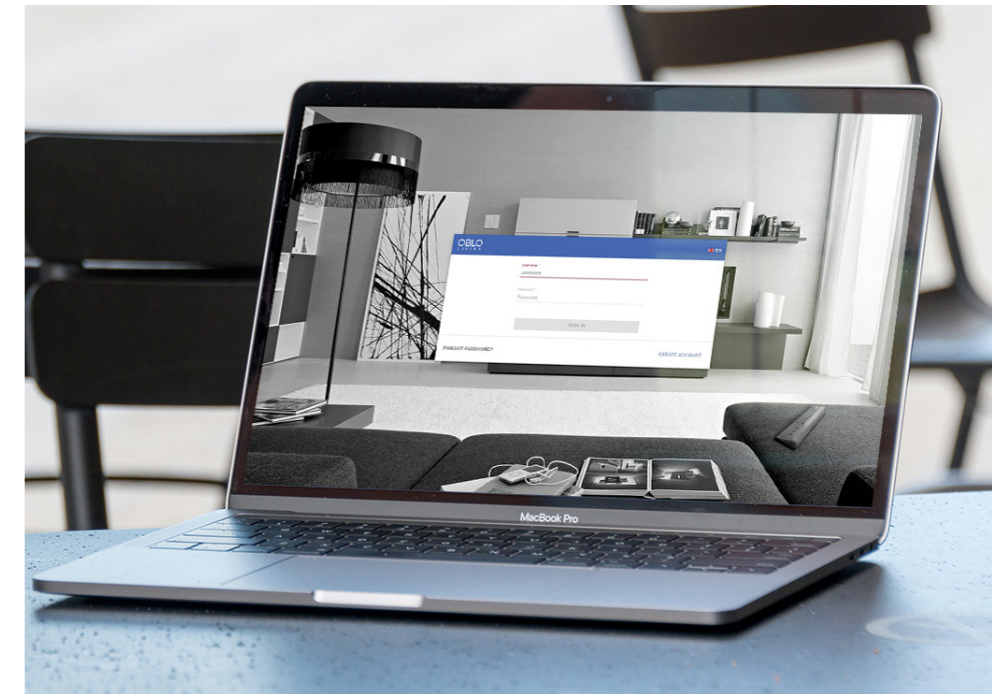
The end user can control and monitor devices by their type (e.g. lights, temperature sensors, etc.)

SCENES

Allows the end user to define an action on specific event (e.g. turn on the light when someone enters the room, etc.)

HOME SETUP

Is used to configure user's home (add/remove nodes, rename room, add floor, etc.)



ADD A BIT OF SMARTNESS TO YOUR HOME

There are many features of OBLO Living app, but scenes can make your home really "smart". Now, in three simple steps, you can create your own scene according to your needs.

Define a trigger

When creating your own scene, you can choose between time trigger (e.g. Monday at 8PM) and device trigger (e.g. motion detected).

Set status

In the next step, you should set the status at which your scene will be active (Armed, At Home, Night, etc.).

Define actions

Define an action (or action sets) for defined triggers (e.g. turn the lights on for a few minutes when motion is detected).





HA Gateway

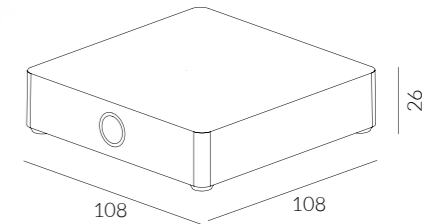
OBLO Living HA Gateway device takes central place in home automation system. Our stylish desktop gateway supports ZigBee, Z-Wave Plus and IP home automation protocols.

It is based on a cost-effective “proven” SoC with outstanding LAN/Wi-Fi capabilities and supports worldwide markets thanks to the external power supply. Combined with OBLO client (Android/iOS/HTML) applications and OBLO cloud service it provides a turnkey platform that covers lighting, security, safety, energy management and other aspects of the fast-growing home automation markets.



HA GATEWAY

DOC400



*dimensions are given in mm

Package includes: HA Gateway, Ethernet cable, power supply, user manual

KEY FEATURES

ZIGBEE

Compliant with ZigBee Home Automation 1.2

Z-WAVE PLUS

Compliant with Z-Wave Plus

IP

Supports integration of IP-based devices

WIFI AND ETHERNET

Connects to your Internet router either via WiFi or Ethernet cable

EXTERNAL PSU

Supports worldwide markets

BUZZER

Built-in buzzer alerts emergency situations

TECHNICAL SPECS

CONNECTIVITY

ZigBee
 Z-Wave Plus
 IP (WiFi and Ethernet)

RANGE

Up to 30m (depending on your home's construction)

OPERATING CONDITIONS

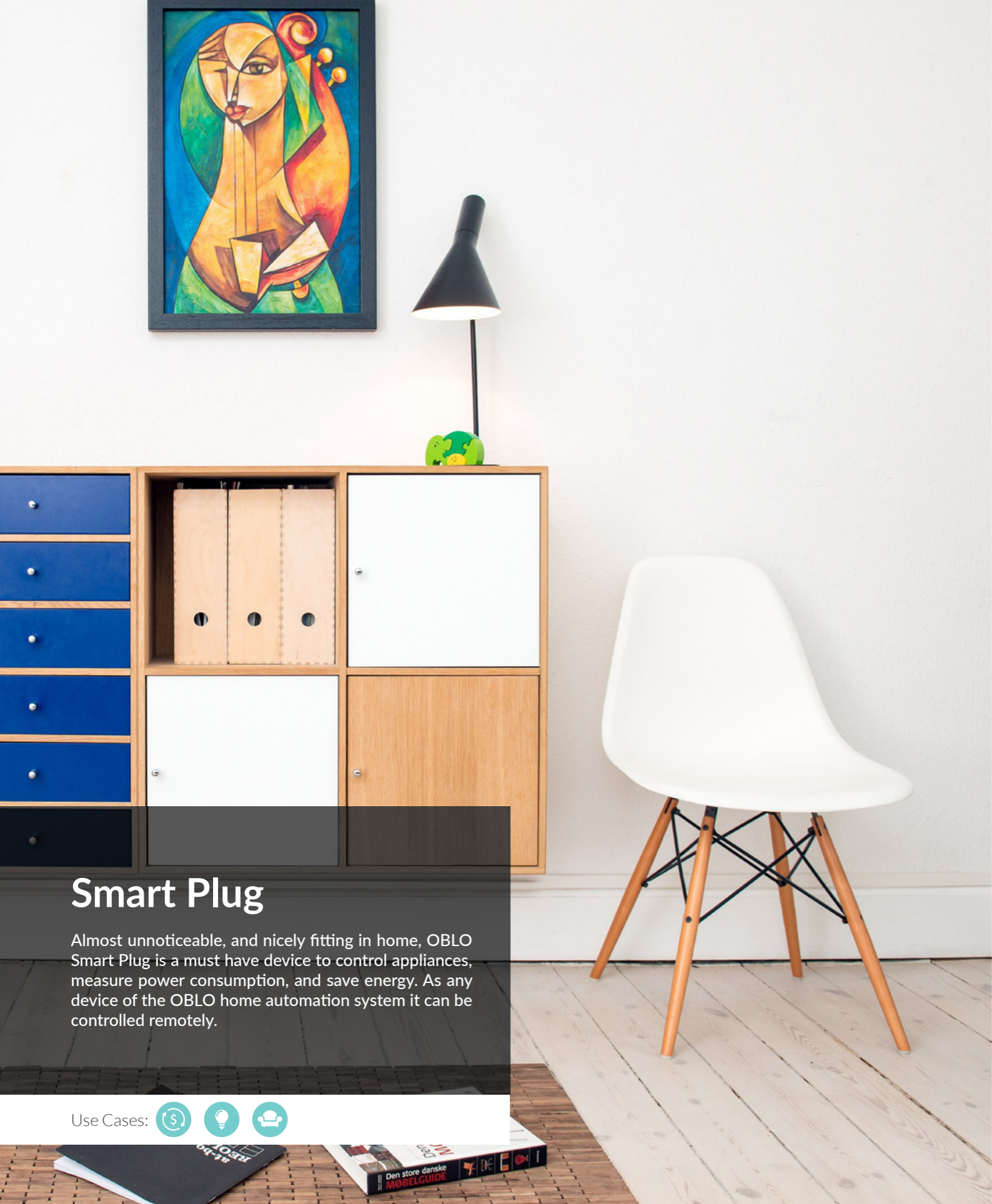
Indoor usage (protection degree IP20)
 Temperature: 0 to 40 °C

POWER SUPPLY

~110 - 230VAC, 50-60Hz

POWER CONSUMPTION

<5W



Smart Plug

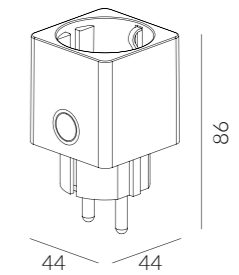
Almost unnoticeable, and nicely fitting in home, OBLO Smart Plug is a must have device to control appliances, measure power consumption, and save energy. As any device of the OBLO home automation system it can be controlled remotely.

Use Cases:   



SMART PLUG

B1100



*dimensions are given in mm

Package includes: Smart Plug, user manual

KEY FEATURES

REMOTE CONTROL

Ideal for remote control of electric devices

HIGH-LOAD DEVICE CONTROL

Up to 3600W load control

POWER CONSUMPTION MEASUREMENT

Measures power consumption of the device attached to it

OVERLOAD PROTECTION

Automatically switches off the device when power consumption exceeds user defined limit

ADVANCED ZIGBEE

Extends the range and supports large ZigBee networks

LED INDICATION

RGB ring changes its color depending on current power consumption

TECHNICAL SPECS

COMMUNICATION PROTOCOL

ZigBee

RANGE

Up to 30m (depending on your home's construction)

OPERATING CONDITIONS

Indoor usage (protection degree IP20)
 Temperature: 0 to 40 °C

POWER

German "Schuko" socket (CEE 7/3, 230VAC, 50Hz)

MAXIMUM LOAD

16A 230VAC



Smart Dimmer

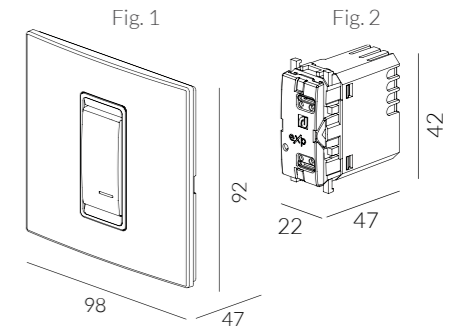
Remotely control your lights or set ambiance by replacing existing switches with OBLO Smart Dimmer switches to furnish any room throughout your home, improving comfort and energy savings. Increase your comfort level by setting the perfect light level for any activity and enjoy every moment of it.

Use Cases:



SMART DIMMER

sEB100 (Smart Dimmer Set - Fig. 1)
 EB100 (Smart Dimmer - Fig. 2)



*dimensions are given in mm

Dimmer Set package includes: Smart Dimmer, mounting frame, decorative mask, switch button, user manual

Dimmer package includes: Smart Dimmer, user manual

KEY FEATURES

RETROFIT SOLUTION

Easily replace existing switch with OBLO Smart Dimmer. Fits into standard Ø 60 mm wall box

MODULAR DESIGN

Up to 7 Smart Dimmers can be arranged within single wall-mount point

ADVANCED ZIGBEE

Extends the range and supports large ZigBee networks

EASY INSTALLATION

Supports both 2-wire and 3-wire installation methods

SUPPORTED LIGHT TYPES

LED, incandescent and CFL

INTERCHANGEABLE MASKS

Screw-less masks available in a variety of colors and materials will perfectly match your interior

TECHNICAL SPECS

COMMUNICATION PROTOCOL

ZigBee

RANGE

Up to 30m (depending on your home's construction)

OPERATING CONDITIONS

Indoor usage (protection degree IP20)
 Temperature: 0 to 40 °C

POWER

Wall powered (230VAC, 50Hz)

LOAD TYPE

2-wire: incandescent, dimmable LED and dimmable CFL
 3-wire: incandescent, non dimmable and dimmable LED and CFL

MAXIMUM LOAD

200W (50W recommended for LED and CFL)



Door/Window Sensor

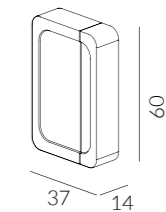
Expand your monitoring possibilities by installing OBLO Door/Window Sensor. The sensor combines features of contact state changes detection, temperature measurement and ZigBee wireless communication in a single tiny device.

Use Cases:



DOOR/WINDOW SENSOR

DC100



*dimensions are given in mm

Package includes: Door/Window Sensor, adhesive strips, mounting screws, user manual

KEY FEATURES

CONTACT STATE

Informs the end user about contact state changes

TEMPERATURE MEASUREMENT

Embedded temperature sensor measures room temperature

ADVANCED SECURITY

Tamper switch alerts unauthorized activities

EASY INSTALLATION

Adhesive strips or mounting screws

LONG BATTERY LIFE

Reed switch-based design ensures long battery life. The end user is anyhow notified about critical battery level

TECHNICAL SPECS

COMMUNICATION PROTOCOL

ZigBee

RANGE

Up to 30m (depending on your home's construction)

OPERATING CONDITIONS

Indoor usage (protection degree IP20)
 Temperature: -5 to 45 °C

POWER

Battery powered (1 x CR2450 battery, pre-installed)

TEMPERATURE MEASUREMENT

Range: -5 to 45 °C
 Accuracy: ~1 °C



Scene Controller

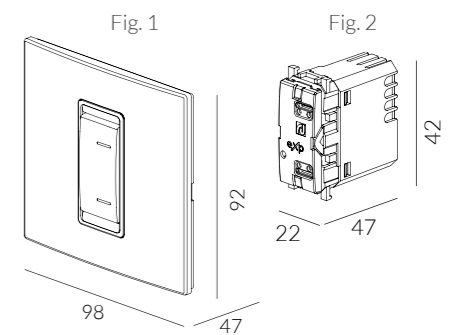
Set your favorite ambient at the touch of a button by using OBLO Scene Controller. By using it, you can create up to four ambient scenes according to your needs.

Use Cases:



SCENE CONTROLLER

- sE1100 (Scene Controller Set, 1 button - Fig. 1)
- sE2100 (Scene Controller Set, 2 buttons - Fig. 1)
- E1100 (Scene Controller, 1 button - Fig. 2)
- E2100 (Scene Controller, 2 buttons - Fig. 2)



*dimensions are given in mm

Scene Controller Set package includes: Scene Controller, mounting frame, decorative mask, switch button, user manual

Scene Controller package includes: Scene Controller, user manual

KEY FEATURES

SCENES

Allows definition of ambience scenes

RETROFIT SOLUTION

Fits into standard Ø 60 mm wall box

INTERCHANGEABLE MASKS

Screw-less masks available in a variety of colors and materials will perfectly match your interior

EASY INSTALLATION

Integration into existing infrastructure can be done in seconds

TECHNICAL SPECS

COMMUNICATION PROTOCOL

ZigBee

RANGE

Up to 30m (depending on your home's construction)

OPERATING CONDITIONS

Indoor usage (protection degree IP20)
Temperature: 0 to 40 °C

POWER

Wall powered (230VAC, 50Hz)



Battery Scene Controller

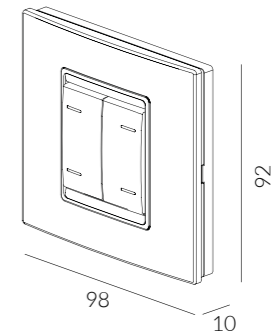
Increase your comfort by setting up ambiance scenes in your home or office - use stylish, innovative, affordable and simple solution - OBLO Battery Scene Controller.

Use Cases:    



BATTERY SCENE CONTROLLER

BC100



*dimensions are given in mm

Package includes: Battery Scene Controller, adhesive strips, mounting screws, user manual

KEY FEATURES

SCENES

Allows definition of 8 scenes with 4 buttons available (short and long press)

TEMPERATURE MEASUREMENT

Embedded temperature sensor measures room temperature

EASY INSTALLATION

Mount it on the wall with adhesive strips or mounting screws or simply put it wherever you want

LONG BATTERY LIFE

Optimized design ensures long battery life. The end user is anyhow notified about critical battery level

INTERCHANGEABLE MASKS

Screw-less masks available in a variety of colors and materials will perfectly match your interior

TECHNICAL SPECS

COMMUNICATION PROTOCOL

ZigBee

RANGE

Up to 30m (depending on your home's construction)

OPERATING CONDITIONS

Indoor usage (protection degree IP20)
 Temperature: -5 to 45 °C

POWER

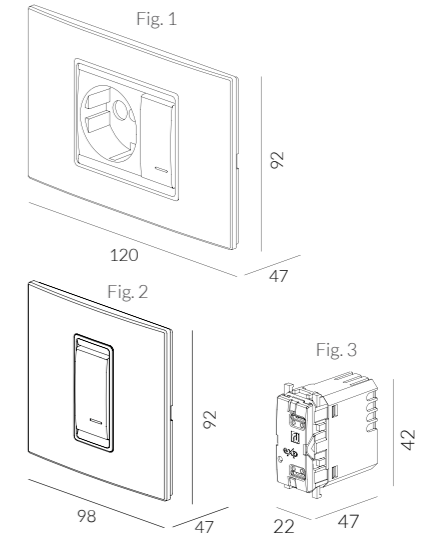
Battery powered (1 x CR2450 battery, pre-installed)

TEMPERATURE MEASUREMENT

Range: -5 to 45 °C
 Accuracy: ~1 °C

HIGH LOAD SWITCH

sAE100 (High Load Switch Set with outlet - Fig. 1)
sAE101 (High Load Switch Set - Fig. 2)
AE100 (High Load Switch - Fig. 3)



*dimensions are given in mm

Set with outlet package includes: High Load Switch, mounting frame, decorative mask, outlet, switch button, user manual

Set package includes: High Load Switch, mounting frame, decorative mask, switch button, user manual

Switch package includes: High Load Switch, user manual

KEY FEATURES

REMOTE CONTROL

Ideal for remote control of electric devices

HIGH-LOAD DEVICE CONTROL

Up to 2200W load control

POWER CONSUMPTION MEASUREMENT

Measures power consumption of the device attached to it

OVERLOAD PROTECTION

Automatically switches off the device when power consumption exceeds user defined limit

TECHNICAL SPECS

COMMUNICATION PROTOCOL

ZigBee

RANGE

Up to 30m (depending on your home's construction)

OPERATING CONDITIONS

Indoor usage (protection degree IP20)
Temperature: 0 to 40 °C

POWER

230VAC, 50Hz

MAXIMUM LOAD

10A 230VAC

High Load Switch

OBLO High Load Switch controls home appliances, monitors power usage and saves energy. It also can limit power consumption to user defined limit, in order to protect from overload.

Use Cases:





KEY FEATURES

Detects Carbon Monoxide (CO)

Audio alert

TECHNICAL SPECS

COMMUNICATION PROTOCOL

ZigBee

RANGE

Up to 40m (depending on your home's construction)

OPERATING CONDITIONS

Indoor usage
Temperature: -10 to 50 °C

POWER

Battery powered (DC3V lithium battery, pre-installed)

SOUND ALARM

85dB/1m

DIMENSIONS

W x H x D: 60 x 60 x 49 mm

CO Sensor HM100

Smart Carbon Monoxide (CO) gas detector provides you and your family with a loud warning signal against the dangers of elevated carbon monoxide levels in your home.

Use Cases:



KEY FEATURES

Detects water leakage

Low battery indication

TECHNICAL SPECS

COMMUNICATION PROTOCOL

ZigBee

RANGE

Up to 40m (depending on your home's construction)

OPERATING CONDITIONS

Indoor usage
Temperature: -10 to 50 °C

POWER

Battery powered (DC3V lithium battery, pre-installed)

DIMENSIONS

W x H x D: 60 x 30 x 12 mm

Flood Sensor HM300

By using Flood Sensor you can prevent avoidable water damage to your home or belongings. It will warn you instantly of any potential damage.

Use Cases:

KEY FEATURES

Detects smoke

Audio alert

TECHNICAL SPECS

COMMUNICATION PROTOCOL

ZigBee

RANGE

Up to 40m (depending on your home's construction)

OPERATING CONDITIONS

Indoor usage
Temperature: -10 to 50 °C

POWER

Battery powered (DC3V lithium battery, pre-installed)

SOUND ALARM

85dB/3m

DIMENSIONS

W x H x D: 60 x 60 x 49 mm

Smoke Sensor HM200

Keep your house safe with installed Smoke Sensor, get an instant notification about any potential danger and optionally permit siren warning activation.

Use Cases:



KEY FEATURES

Detects motion

110° detecting angle

TECHNICAL SPECS

COMMUNICATION PROTOCOL

ZigBee

RANGE

Up to 40m (depending on your home's construction)

OPERATING CONDITIONS

Indoor usage
Temperature: -10 to 50 °C

POWER

Battery powered (DC3V lithium battery, pre-installed)

DETECTING ANGLE

110°

DETECTING DISTANCE

9-12 m

DIMENSIONS

W x H x D: 65 x 65 x 28mm

Motion Sensor HM400

Motion Sensor lets you know everything is okay in your house, so you can relax wherever you are. Sensor works when you are not home, or when you tell the system you are not there.

Use Cases:





KEY FEATURES

Tamper alarm

Long battery life

Easy installation

Multisensor PT100

The slim Multisensor combines motion sensor (PIR), temperature sensor and light intensity sensor – all in one small package.

Use Cases:



TECHNICAL SPECS

COMMUNICATION PROTOCOL

Z-Wave

RANGE

Up to 40m (depending on your home's construction)

OPERATING CONDITIONS

Indoor usage

Temperature: -10 to 40 °C

POWER

Battery powered (1 x CR123A battery)

DIMENSIONS

W x H x D: 28 x 96 x 23 mm



AC Controller RM100

AC Controller makes your air conditioner smart with main goal to maximize your comfort. Also, by using it you can save more on your AC energy costs.

Use Cases:



KEY FEATURES

Built-in 5 direction IR emitters (hemispherical coverage), plus 3.5mm jack for external wired IR emitter

Built-in AC IR code library with Configuration

Learning capability

Best-in-class learning capability

Built-in temperature sensor

TECHNICAL SPECS

COMMUNICATION PROTOCOL

Z-Wave

RANGE

Up to 30m (depending on your home's construction)

IR OPERATING DISTANCE

Up to 8m line of sight, in unobstructed environment

TEMPERATURE MEASUREMENT

Range: 0 to 40 °C

Accuracy: ~1 °C

OPERATING CONDITIONS

Indoor usage

Temperature: 0 to 40 °C

POWER

5 VDC, 100 mA

DIMENSIONS

DIA x H: 70 x 18 mm

KEY FEATURES

105 dB speaker system

Super bright LED system

Backup battery

Easy installation



Siren AT100

Siren is the perfect accessory for your safety and security. It is an easy to use & install indoor alarm that can sync up to your existing home automation gateway.

Use Cases:



TECHNICAL SPECS

COMMUNICATION PROTOCOL

Z-Wave

RANGE

Up to 40m

OPERATING CONDITIONS

Temperature: 0 to 45 °C

POWER

230 VAC, 50Hz; Max: 30mA

Backup battery (430 mAh lithium battery, pre-installed)

POWER CONSUMPTION

1.7 W

DIMENSIONS

W x H x D: 55.8 x 83.8 x 45.7 mm

KEY FEATURES

360° IR range

Easy installation



IR transceiver HK 100

IR transceiver is the ideal device for increasing your comfort. By using it, you can easily control your home cooling or multimedia system from any mobile device.

Use Cases:



TECHNICAL SPECS

COMMUNICATION PROTOCOL

Z-Wave

RANGE

Up to 30m (depending on your home's construction)

IR RANGE

360°, 7-10m

OPERATING CONDITIONS

Indoor usage

Temperature: 0 to 40 °C

POWER

5V/1A Micro-B

DIMENSIONS

W x H x D: 85 x 22 x 85 mm



Smart Bulb

LS100 - Dimmable, LS200 - CCT,
LS300 - RGBW

By using Smart Bulbs, you can easily change the color of your lights or set ambient light based on your mood. Make it happen as simply as a tap-your-preference in our smart home application.

Use Cases:



KEY FEATURES

Allows remote control

ON/OFF and dimming function

Color temperature setting (LS200 and LS300)

Color setting (LS300)

Easy and safe to install

TECHNICAL SPECS

COMMUNICATION PROTOCOL

ZigBee

RANGE

Up to 30m (depending on your home's construction)

OPERATING CONDITIONS

Indoor usage

Temperature: -20 to 40 °C

FIXTURE

E27

POWER

110 - 230 VAC ±10%

50 / 60 Hz

LUMEN

806 lm

CCT

2700-6500 K (LS200 and LS300)

DIMENSIONS

W x H: 120 x 60 mm



PTZ Indoor IP Camera A10D

PTZ Indoor IP Camera with 1.3MP resolution, built-in motion sensor, microphone and PTZ rotation is a perfect choice for your home's security.

Use Cases:



KEY FEATURES

1.3 Megapixel Wi-Fi camera

Built-in motion sensor

PTZ rotation

Micro SD card support (up to 64GB)

TECHNICAL SPECS

COMMUNICATION PROTOCOL

IP

VIDEO

Compression: H.264

Resolution: (1280*720),VGA(640*352),

QVGA(320*176)

AUDIO

Format: G711/726

Microphone: -52dB

OPERATING CONDITIONS

Indoor usage

Temperature: -10 to 50 °C

POWER

5 VDC 2A

DIMENSIONS

W x H x D: 95 x 115 x 120mm

KEY FEATURES

2 Megapixel Wi-Fi camera

IR range 10m

Micro SD card support (up to 128GB)

TECHNICAL SPECS

COMMUNICATION PROTOCOL

IP

VIDEO

Compression: H.264

Resolution: (1920*1080), VGA (640*352),QVGA

(320*176)

AUDIO

Format: G711/726

Microphone: -52dB

OPERATING CONDITIONS

Indoor usage

Temperature: -10 to 50 °C

POWER

5 VDC, 1A, USB

DIMENSIONS

DIA x H: 92 x 28mm



Indoor IP Camera 115W

IP Camera's elegant blend of aesthetics combined with a range of easy mounting solutions provides an excellent choice for a variety of small Wi-Fi applications at an affordable price.

Use Cases:



KEY FEATURES

2 Megapixel Wi-Fi camera

Night vision

Motion detection

Micro SD card support (up to 128GB)

TECHNICAL SPECS

COMMUNICATION PROTOCOL

IP

VIDEO

Compression: H.264

Resolution: (1920*1080), VGA(640*352),

QVGA(320*176)

NIGHT VISION

IR angle: 110 °

IR distance: 15m

OPERATING CONDITIONS

Outdoor usage

Temperature: -10 to 50 °C

POWER

12 VDC 1A

DIMENSIONS

DIA x L: 72*180mm



Outdoor IP Camera 158W

Outdoor IP Camera delivers 2MP resolution with night vision option and SD card support making it the perfect choice for your home's security.

Use Cases:





KEY FEATURES

Built-in temperature sensor

Energy saving

Easy installation

TECHNICAL SPECS

COMMUNICATION PROTOCOL

Z-Wave

RANGE

Up to 30m (depending on your home's construction)

OPERATING CONDITIONS

Temperature: 0 to 40 °C

POWER

Battery powered (2 x AA batteries, 1.5V)

POWER CONSUMPTION

1.2 W

DIMENSIONS

W x H x D: 81 x 66 x 21 mm

Room Controller DF100

Room Controller is a battery operated device which measures room temperature and allows you to control heating.

Use Cases:  



KEY FEATURES

Glass panel

Energy saving

Easy installation

TECHNICAL SPECS

COMMUNICATION PROTOCOL

Z-Wave

RANGE

Up to 30m (depending on your home's construction)

OPERATING CONDITIONS

Indoor usage

Temperature: 0 to 50 °C

TEMPERATURE

Setting range: 5 to 37°C

POWER



AC220V±10, 50/60HZ

DIMENSIONS

W x H x D: 86 x 86 x 43 mm

Room Thermostat MC100

Room Thermostat is a device which allows you to remotely control heating and electrical systems in your home. It is easy to install and use and it provides a high level of comfort and helps you to save energy.

Use Cases:  

KEY FEATURES

Touch screen

Energy saving

Easy installation

TECHNICAL SPECS

COMMUNICATION PROTOCOL

ZigBee

RANGE

Up to 30m (depending on your home's construction)

OPERATING CONDITIONS

Indoor usage

Temperature: -10 to 60 °C

TEMPERATURE

Setting range: + 7-50 ° C

Resolution: 0.1 ° C

Accuracy: ± 0.5 ° C

POWER

Battery powered (2x AA batteries, 1.5V)

DIMENSIONS

W x H x D: 86 x 86 x 22 mm

Room Thermostat RT100

Room Thermostat is a device which allows you to remotely control heating and cooling systems in your home. It is easy to install and use and it provides a high level of comfort.

Use Cases:  



KEY FEATURES

Touch screen

Heating, cooling and ventilation mode

Easy installation

TECHNICAL SPECS

COMMUNICATION PROTOCOL

Z-Wave

RANGE

Up to 30m (depending on your home's construction)

OPERATING CONDITIONS

Indoor usage

Temperature: 0 to 55 °C

TEMPERATURE SETPOINT RANGE

Setting range: 5 to 35°C

POWER

AC85V~260V, 50/60HZ

POWER CONSUMPTION

1.2 W

DIMENSIONS

W x H x D: 86 x 86 x 42 mm

Fan Coil Thermostat MC101

Fan Coil thermostat is a Z-Wave device for indoor temperature control. It is mainly applied to a 2-pipe and 4-pipe Fan Coil systems. It can read room temperature and local time, and automatically control fan speed based on the temperature difference.

Use Cases:  





Radiator Thermostat DF200

Radiator Thermostat is easy to install thermostat for residential use which provides high level of comfort and helps you to save energy.

Use Cases:  

KEY FEATURES

Energy saving

Minimum/maximum temperature limitations

Open window function

Easy installation

TECHNICAL SPECS

COMMUNICATION PROTOCOL

Z-Wave

RANGE

Up to 30m (depending on your home's construction)

OPERATING CONDITIONS

Temperature: 0 to 40 °C

TEMPERATURE SETPOINT RANGE

4 - 28°C

MAXIMUM WATER TEMPERATURE

90°C

POWER

Battery powered (2 x AA batteries, 1.5V)

POWER CONSUMPTION

1.2 W

DIMENSIONS

DIA x D: 51 x 91 mm (with RA valve adapter)



Flush RGB Dimmer QU200

Flush RGB Dimmer is designed to control your RGB/RGBW strips and LED strips or bulbs in order to create countless color options and includes 5 special scene effects (Ocean, Lightning, Rainbow, Snow and Sun).

Use Cases: 

KEY FEATURES

Controls RGB/RGBW strips, LED strips and bulbs or even halogen bulbs

Fits easily in any flush mounting box

Easy installation

TECHNICAL SPECS

COMMUNICATION PROTOCOL

Z-Wave

RANGE

Up to 30m (depending on your home's construction)

OPERATING CONDITIONS

Indoor usage, Temperature: 0 to 40 °C

POWER

12 / 24V DC

PWM OUTPUT FREQUENCY

488 Hz

RATED OUTPUT POWER

8A for single output channel, 13A at max. (3,25A for R.G.B.W. single output channel is suggested)

MAXIMUM LOAD (E.G. HALOGEN BULBS)

At 12V- 156W combined

At 24V- 312W combined

ELECTRICITY CONSUMPTION

12V: 0.48W; 24V: 0.72W

DIMENSIONS

W x H x D: 41x 32x 15 mm



Flush Shutter QU100

Flush Shutter is the world's smallest Z-Wave module able to control the motors of blinds, rollers, shades, venetian blinds, etc. You can control it either remotely through the Z-Wave network or through wall switches.

Use Cases: 

KEY FEATURES

Controls the motors of blinds, rollers, shades, venetian blinds

Measures power consumption of the connected electrical device

Easy installation

TECHNICAL SPECS

COMMUNICATION PROTOCOL

Z-Wave

RANGE

Up to 30m (depending on your home's construction)

OPERATING CONDITIONS

Indoor usage

Temperature: -10 to 40 °C

POWER

110 - 230 VAC ±10% 50 / 60 Hz
(24-30 VDC)

RATED LOAD CURRENT OF AC OUTPUT (RESISTIVE LOAD)

2 X 4 A / 230 VAC

OUTPUT CIRCUIT POWER OF AC OUTPUT (RESISTIVE LOAD)

2 X 920 W (230 VAC)

ELECTRICITY CONSUMPTION

0.4 W

DIMENSIONS

W x H x D: 42 x 37 x 17 mm



Flush 1 Relay QU300

Flush 1 Relay is ideal as an electrical device switch for lights, fans, ovens, washing machines, irons, power sockets, garage doors, electric radiators, water heaters, etc. You can control it either remotely through the Z-Wave network or through wall switches.

Use Cases:    

KEY FEATURES

Controls and switches electrical devices

Measures power consumption of the connected electrical device

Easy installation

TECHNICAL SPECS

COMMUNICATION PROTOCOL

Z-Wave

RANGE

Up to 30m (depending on your home's construction)

OPERATING CONDITIONS

Indoor usage

Temperature: -10 to 40 °C

POWER

110 - 230 VAC ±10% 50 / 60 Hz
(24-30 VDC)

RATED LOAD CURRENT OF AC/DC OUTPUT (RESISTIVE LOAD)

1 X 10 A / 230 VAC | 1 X 10A / 30 VDC

OUTPUT CIRCUIT POWER OF AC/DC OUTPUT (RESISTIVE LOAD)

2300 W (230 VAC) | 240 W (24 VDC)

ELECTRICITY CONSUMPTION

0.4 W

DIMENSIONS

W x H x D: 42 x 37 x 15 mm



Flush Dimmer 0-10V QU400

Flush Dimmer is a universal dimmer with a standard 0-10V output and a multi-function input, which may be a push button or switch, a potentiometer or a 0-10V signal. It is ideal for remotely dimming LED lights with low voltage ballast.

Use Cases: 

KEY FEATURES

Remotely dims lights

Supports the connection of a digital temperature sensor

Easy installation

TECHNICAL SPECS

COMMUNICATION PROTOCOL

Z-Wave

RANGE

Up to 30m (depending on your home's construction)

OPERATING CONDITIONS

Indoor usage
Temperature: -10 to 40 °C

POWER

12-24 VDC

MAX SINKING CONTROL VOLTAGE

-20/+20 VDC

MAX SOURCING CONTROL VOLTAGE

0 - 11 VDC

POWER CONSUMPTION

0.5 W



DIMENSIONS

W x H x D: 42 x 37 x 15 mm



Flush ON/OFF Thermostat QU702

Flush ON/OFF Thermostat is ideal for directly controlling electric or water-based underfloor heating systems, electric water heaters, hot water pumps, electric radiators and similar. You can control it either remotely or through wall switches.

Use Cases:  

KEY FEATURES

Supports digital temperature sensor

Measures power consumption

Easy installation

TECHNICAL SPECS

COMMUNICATION PROTOCOL

Z-Wave

RANGE

Up to 30m (depending on your home's construction)

OPERATING CONDITIONS

Indoor usage
Temperature: -10 to 40 °C

DIGITAL TEMPERATURE SENSOR

Range: -50 to 125°C

POWER

110 - 230 VAC ±10%
50 / 60 Hz, (24-30 VDC)

POWER CONSUMPTION

0.4W

DIMENSIONS

W x H x D: 42 x 37 x 15 mm



Flush Dimmer QU410

Flush Dimmer is the first MOS-FET-switching lights device that also supports control of low-voltage halogen lamps with electronic transformer, dimmable compact fluorescent lights and dimmable LED bulbs.

Use Cases:  

KEY FEATURES

Remotely dims the lights

Measures power consumption

Easy installation

TECHNICAL SPECS

COMMUNICATION PROTOCOL

Z-Wave

RANGE

Up to 30m (depending on your home's construction)

OPERATING CONDITIONS

Indoor usage
Temperature: -10 to 40 °C

POWER

110 - 230 VAC ±10%
50 / 60 Hz, (24-30 VDC)

RATED LOAD CURRENT OF AC/DC OUTPUT (RESISTIVE LOAD)

0.6 A / 230 VAC | 0.85 A / 30 VDC

OUTPUT CIRCUIT POWER OF AC/DC OUTPUT (RESISTIVE LOAD)

140 W (230 VAC) | 21 W (24 VDC)

POWER CONSUMPTION

0.7W

DIMENSIONS

W x H x D: 42 x 37 x 15 mm



Temperature sensor QU500

Digital Temperature sensor has 1m cable with connector to connect directly to modules that support this type of connection. Digital temperature sensor range is between -50 and 125°C.

Use Cases:  

COMPATIBLE WITH

Flush Shutter (QU100)

Flush 1 Relay (QU300)

Flush Dimmer 0-10V (QU400)

Flush Dimmer (QU410)

Flush ON/OFF Thermostat (QU702)



WORKS WELL WITH



Qubino



VOCO))

PHILIPS



HEIMAN

Aeotec

FIBARO

ALING-CONEL

OSRAM



iVideon



Narodnog Fronta 23a
21000 Novi Sad
Serbia

phone: +381(0)21 480 1213
fax: +381(0)21 480 1116

sales@obloliving.com
www.obloliving.com