



***POWER line***

**ARMOR line**

KVALITET I SIGURNOST U PROIZVODNJI  
ELEKTROMATERIJALA

QUALITY AND SAFETY IN PRODUCTION  
OF ELECTRICAL INSTALLATION MATERIALS



***POWER line***

***ARMOR line***

***ALING OG***

PRIKLJUČNI PRIBOR  
CONNECTING ACCESSORIES

INSTALACIONI PRIBOR  
INSTALLATION ACCESSORIES

SIJALIČNA GRLA  
LAMP HOLDERS

**ALING-CONEL**

**ZAŠTIĆENA INSTALACIJA  
SA VISOKIM ESTETSKIM VREDNOSTIMA**

*PROTECTED INSTALLATION  
WITH HIGH AESTHETIC VALUES*

**POWER line**

Sklopke, priključnice i razvodne kutije POWER LINE predstavljaju idealno rešenje za izradu kućnih električnih instalacija sa stepenom zaštite IP44 / IP54 prema IEC 60529.

Izrađene su dopadljivo, sa ciljem da predstavljaju estetski deo enterijera, uz jednostavnu upotrebu i montažu.

Kućišta i spoljni elementi izrađuju se u bojama koje mogu zadovoljiti svačiji ukus i uklopiti se u sve enterijere.

*POWER LINE switches, socket outlets and junction boxes represent an ideal solution for indoor electrical installations with the protection level IP44 / IP54 in accordance with IEC 60529.*

*They are attractively made, with the purpose of representing an aesthetic part of the interior with simple use and mounting.*

*Housings and external elements are made in colors that can satisfy everyone's taste and fit into all interiors.*



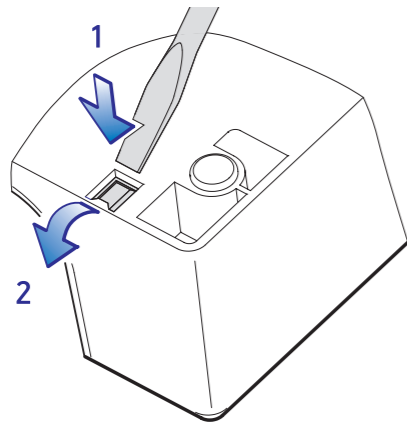
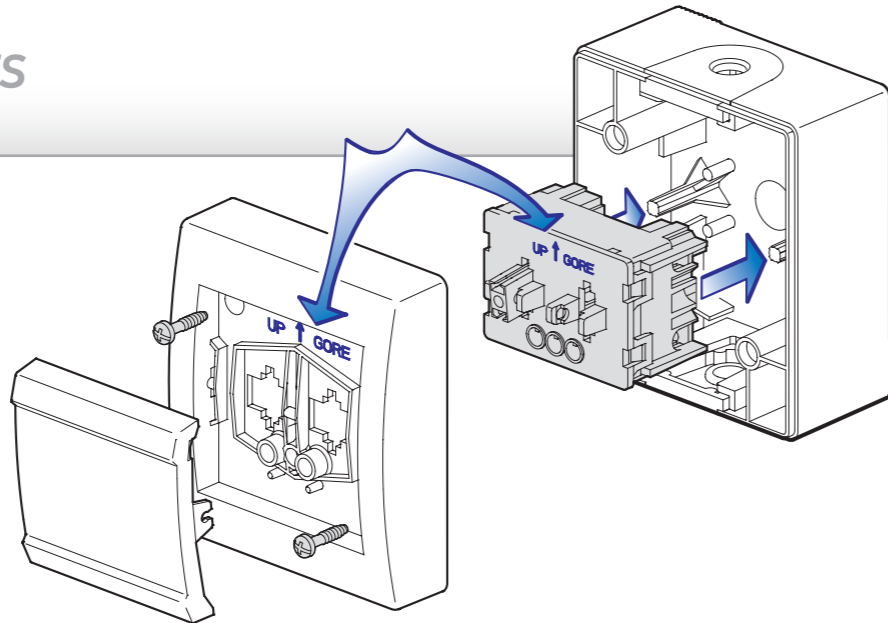
**ALING-CONEL**

# POWER line

## TEHNIČKE PREDNOSTI TECHNICAL ADVANTAGES

Sklopke se postavljaju na zid jednostavnim pričvršćivanjem kutije sa dva vijka prečnika 3,5 - 4 mm, mogu se koristiti bilo koji standardni vijci u zavisnosti od podloge. Kabl se provlači kroz ulaznicu, uz standardno povezivanje provodnika. Telo sklopke se postavlja na oslonce u kutiji, a blok se pričvršćuje odgovarajućim vijcima. Prilikom postavljanja tela sklopke i bloka vodi se računa o tome koju stranu okrenuti prema gore.

Switches are mounted on the wall with two screws of 3,5 - 4mm diameter, any standard screw that fits the surface can be used. The cable is pulled through the cable entry, and the procedure of conductors wiring is standard. The switch mechanism is placed on supports in the box, and the block is fastened with relevant screws. It is very important that the block and the switch mechanism are placed in the same direction.

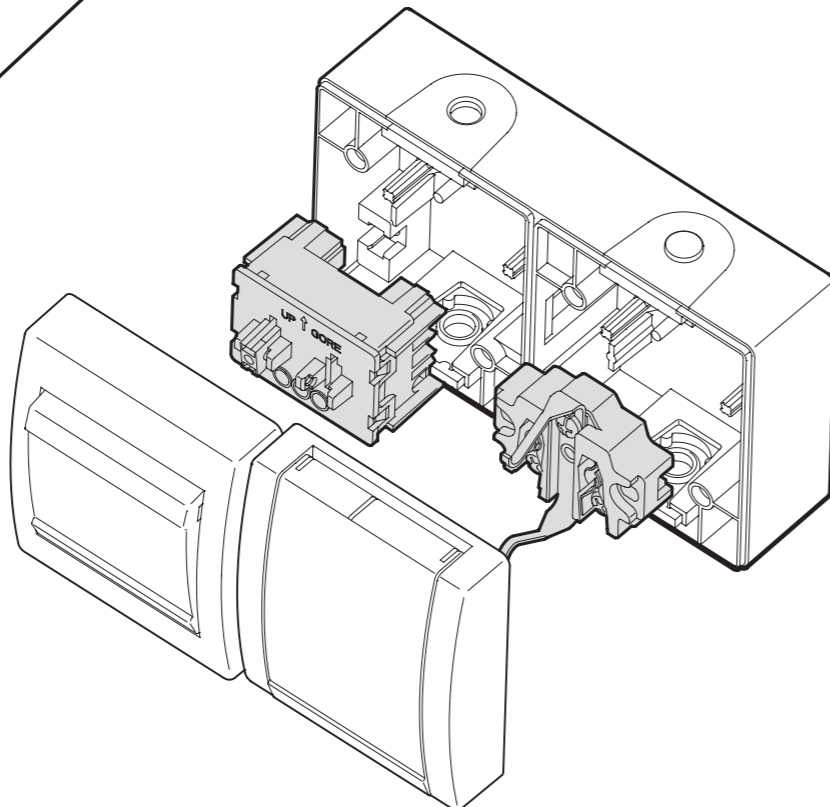


U slučaju prodiranja vode ili kondenzovanja vlage u unutrašnjosti, potrebno je izvijačem snažno pritisnuti oslabljena mesta na dnu kutije (1), da bi se napravio otvor za isticanje (2).

If water ingress or moisture condensation occurs, the marked spots on the bottom of the box must be strongly pressed with the screwdriver (1) to provide a hole for discharge (2).

Prednost dvostruke kutije je mogućnost postavljanja po dva elementa u jednu kutiju (dve sklopke, dve priključnice ili kombinacija sklopke i priključnice). Moguće je i uvođenje samo jednog kabla uz prespajanje na priključnim stezaljkama uz zadržavanje zahtevanog stepena zaštite.

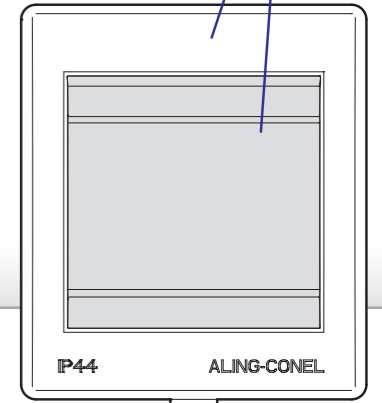
The advantage of a twofold box is the possibility of placing two elements in the same box (two switches, two socket outlets or a combination of switch and socket outlet). It is also possible to insert only one cable using connection with clamps while maintaining the required protection level.



# POWER line

## BOJE PREDNJIH ELEMENATA FRONT ELEMENTS COLORS

art.251.X X



Označavanje proizvoda izvedeno je u skladu sa korišćenim bojama:

**prva cifra** - šifra boje kućišta

**druga cifra** - šifra boje tastera sklopke ili poklopca priključnice

Standardno se izrađuju boje:

**x = 0**



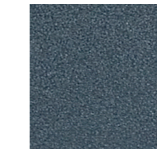
Bela  
White  
RAL 9003

**x = 1**



Siva  
Grey  
RAL 7035

**x = A**



Antracit  
Anthracite  
RAL 3004

The product code is given by two digits that describe the colors of particular elements:

**first digit** - code of housing colour

**second digit** - code of switch button colour or socket cover

The standard colors are:



# POWER line

## SKLOPKE SWITCHES

- Stepen zaštite **IP44**
- Usaglašeno sa IEC 60669-1,
- Ugradnja na zid pomoću vijaka prečnika do 4 mm

- Protection level **IP44**
- Complied with IEC 60669-1,
- Wall mounting by screws dia. to 4 mm



**251.1A**

**251.00**

Sklopka jednopolna  
10AX/250V~ **IP44**  
Single-pole switch  
10AX/250V~ **IP44**



**255.00**

**255.1A**

Taster sklopka za svetlo  
10A/250V~ **IP44**  
Light push-button switch  
10A/250V~ **IP44**



**257.1A**

**257.00**

Taster sklopka  
za roletne  
10A/250V~ **IP44**  
Rolling shutter push-  
button switch  
10A/250V~ **IP44**

- Dve taster sklopke za direktno pokretanje elektromotora za podizanje i spuštanje roletni,
- Blokada mogućnosti uključivanja kretanja istovremeno u oba smera

- Two push-button switches for direct activation of rolling shutters lifting and lowering electric motor
- Interlock of movement in both directions simultaneously



**252.00**

**252.1A**

Sklopka serijska  
10AX/250V~ **IP44**  
Serial switch  
10AX/250V~ **IP55**



**255I.1A**

**255I.00**

Taster sklopka za svetlo  
sa indicijom  
10A/250V~ **IP44**  
Light push-button switch  
with indication  
10A/250V~ **IP44**

- Indikacija svetli kada je sklopka isključena
- Indication is on when the switch is off



**2511.00**

**2511.1A**

Sklopka jednopolna  
sa indicijom  
10AX/250V~ **IP44**  
Single-pole switch  
with indication  
10AX/250V~ **IP44**

- Indikacija svetli kada je sklopka isključena
- Indication turns on when the switch is off

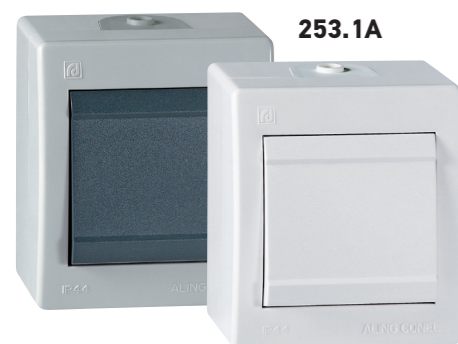


**2541.00**

**2541.1A**

Sklopka ukrсна  
sa indicijom  
10AX/250V~ **IP44**  
Intermediate switch  
with indication  
10AX/250V~ **IP44**

- Indikacija svetli kada je strujno kolo otvoreno
- Indication is on when the circuit is open



**253.1A**

**253.00**

Sklopka naizmenična  
10AX/250V~ **IP44**  
Two-way switch  
10AX/250V~ **IP44**



**256.00**

**256.1A**

Taster sklopka za zvono  
10A/250V~ **IP44**  
Bell push-button switch  
10A/250V~ **IP44**



**2521.1A**

**2521.00**

Sklopka serijska  
sa indicijom  
10AX/250V~ **IP44**  
Serial switch  
with indication  
10AX/250V~ **IP44**

- Indikacija svetli kada je sklopka isključena
- Indication is on when the switch is off



**259.1A**

**259.00**

Sklopka jednopolna  
sa indicijom  
16AX/250V~ **IP44**  
Single-pole switch  
with indication  
16AX/250V~ **IP44**

- Indikacija svetli kada je sklopka isključena
- Indication is on when the switch is off



**254.00**

**254.1A**

Sklopka ukrсна  
10AX/250V~ **IP44**  
Intermediate switch  
10AX/250V~ **IP44**



**256I.1A**

**256I.00**

Taster sklopka za zvono  
sa indicijom  
10A/250V~ **IP44**  
Bell push-button switch  
with indicator  
10A/250V~ **IP44**

- Indikacija svetli kada je sklopka isključena
- Indication is on when the switch is off



**2531.00**

**2531.1A**

Sklopka naizmenična  
sa indicijom  
10AX/250V~ **IP44**  
Two-way switch  
with indicator  
10AX/250V~ **IP44**

- Indikacija svetli kada je strujno kolo otvoreno
- Indication is on when the circuit is open



**259I.00**

**259I.1A**

Sklopka jednopolna  
indikatorska  
16AX/250V~ **IP44**  
Single-pole switch  
with indicator  
16AX/250V~ **IP44**

- Indikacija svetli kada je sklopka uključena
- Indication is on when the switch is on

# POWER line

## PRIKLJUČNICE SOCKET OUTLETS

- Stepen zaštite **IP 44**
- Usaglašeno sa IEC 60884-1,
- Ugradnja na zid pomoću vijaka prečnika do 4 mm

- Protection level **IP 44**
- Complied with IEC 60884-1,
- Wall mounting by screws dia. to 4 mm



241.00

**241.1A**

Priključnica dvopolna 16A/250V~ **IP44** sa porcelanskim jezgrom  
*Double-pole socket outlet 16A/250V~ **IP44** with porcelain insert*



2411.1A

**2411.00**

Priključnica dvopolna 16A/250V~ **IP44** sa polikarbonatskim jezgrom  
*Double-pole socket outlet 16A/250V~ **IP44** with polycarbonate insert*



2451.00

**2451.1A**

Priključnica dvopolna 16A/250V~ **IP44** sa polikarbonatskim jezgrom Francuski standard  
*Double-pole socket outlet 16A/250V~ **IP44** with polycarbonate insert French standard*

- Usaglašeno sa NF C 61-314
- Complied with NF C 61-314



242.1A

**242.00**

Priključnica dvostruka dvopolna 16A/250V~ **IP44** sa porcelanskim jezgrom  
*Twofold double-pole socket outlet 16A/250V~ **IP44** with porcelain insert*



2452.1A

**2452.00**

Priključnica dvostruka dvopolna 16A/250V~ **IP44** sa polikarbonatskim jezgrom Francuski standard  
*Twofold double-pole socket outlet 16A/250V~ **IP44** with polycarbonate insert French standard*

- Usaglašeno sa NF C 61-314
- Complied with NF C 61-314



**2412.00**  
**2412.1A**

Priključnica dvostruka dvopolna 16A/250V~ **IP44** sa polikarbonatskim jezgrom  
*Twofold double-pole socket outlet 16A/250V~ **IP44** with polycarbonate insert*

**2412P.00**  
**2412P.1A**

Priključnica dvostruka dvopolna 16A/250V~ **IP44** PREMOŠTENA  
*Twofold double-pole socket outlet 16A/250V~ **IP44** BRIDGED*



243.1A

**243.00**

Priključnica tropolna 16A/440V~ **IP44** sa porcelanskim jezgrom  
*Tripolar socket outlet 16A/440V~ **IP44** with porcelain insert*

**2431.00**

Priključnica tropolna 16A/440V~ **IP44** sa polikarbonatskim jezgrom  
*Tripolar socket outlet 16A/440V~ **IP44** with polycarbonate insert*



2431.1A



## POWER line

### RAZVODNE KUTIJE JUNCTION BOXES

- Stepen zaštite **IP54**
- Usaglašeno sa IEC 60670-1,
- Ugradnja na zid pomoću vijaka prečnika do 4 mm
- Uvodnice za kablove do  $\varnothing 14$  mm

- Protection level **IP54**
- Complied with IEC 60670-1,
- Wall mounting by screws dia. to 4 mm
- Cable bushings to  $\varnothing 14$  mm



### DVOSTRUKE KUTIJE DOUBLE BOXES

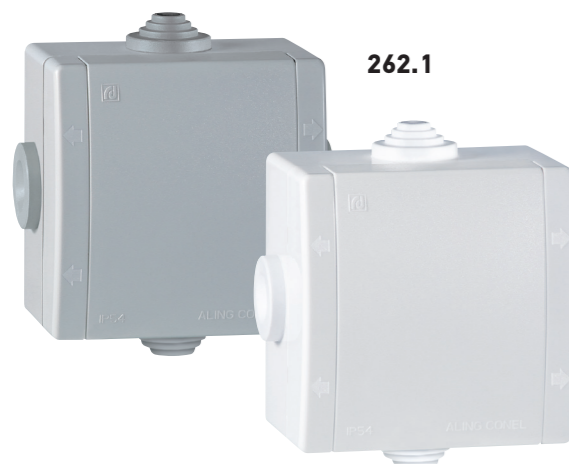


**261.0**

**261.1**

Kutija razvodna sa 3 uvoda za na zid  
80x80 500V **IP54**

Wall mounted junction box with 3 cable glands  
80x80 500V **IP54**

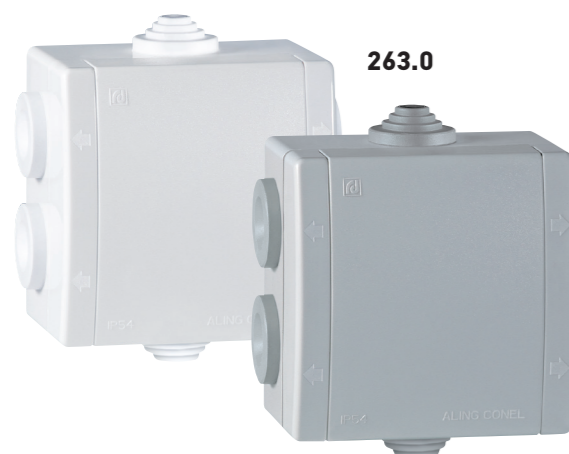


**262.1**

**262.0**

Kutija razvodna sa 4 uvoda za na zid  
80x80 500V **IP54**

Wall mounted junction box with 4 cable glands  
80x80 500V **IP54**



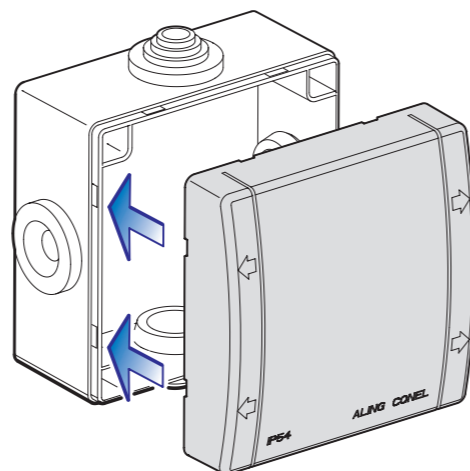
**263.0**

**263.1**

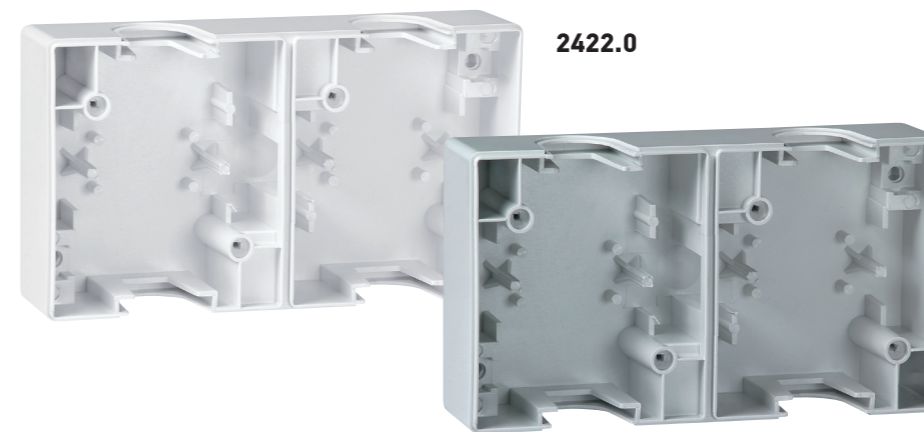
Kutija razvodna sa 6 uvoda za na zid  
80x80 500V **IP54**

Wall mounted junction box with 6 cable glands  
80x80 500V **IP54**

Razvodna kutija je izrađena tako da se poklopac postavlja bez upotrebe vijaka. Postavlja se veoma brzo, jednostavnim kačenjem za kutiju, a skida se izvijačem na strelicama označenim mestima.



The junction box is made so the cover can be mounted without using any screws. The mounting is very simple. The cover must be pressed on the box and buckled up, and unmounting is done by using a screwdriver in the places indicated by the arrows.



**2422.0**

**2422.1**

Kutija dvostruka za montažu sklopki i priključnica  
Twofold box for installation of switches and sockets outlets

- Omogućeno unutrašnje prespajanje provodnika bez narušavanja stepena zaštite
- Enabled internal wiring of conductors without impairing the protection level.

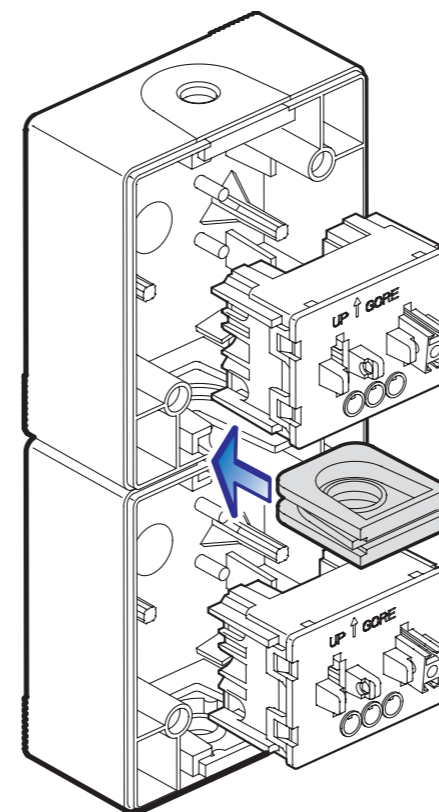


**2423.0**

**2423.1**

Uvodnica dupla za vertikalno spajanje kutija  
Double cable gland for vertical connection of boxes

- Obezbeđuje se zahtevani stepen zaštite na mestu spajanja dve kutije
- Obezbeđuje se tačan međusobni položaj kutija
- The required protection level is provided at the point of connection between two boxes
- The exact mutual position of the boxes is ensured



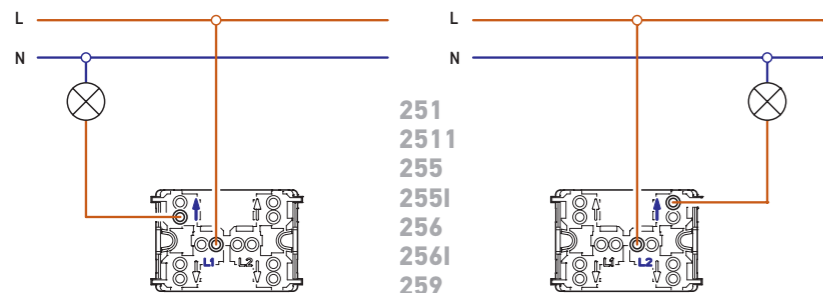
Elementi se mogu spojiti u zajedničko kućište vertikalnim nizanjem jednostrukih kutija i dvostruke uvodnice koja se posebno isporučuje.

The elements can be connected by vertical stringing of single boxes and a double gland, which is supplied separately.



# POWER line

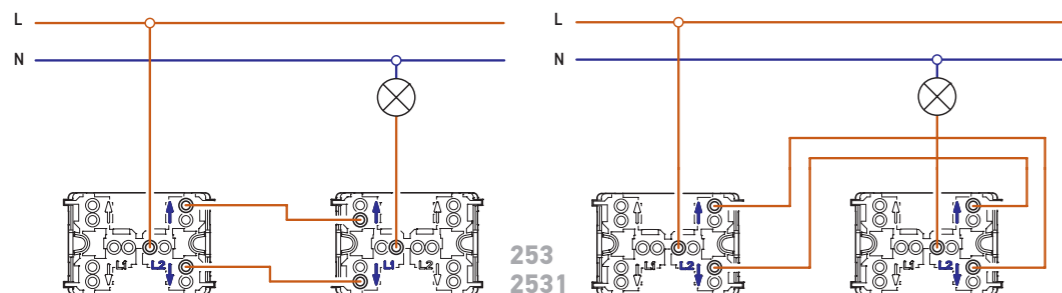
## ŠEME VEZIVANJA WIRING DIAGRAMS



251  
2511  
255  
2551  
256  
2561  
259

Jednopolna sklopka ima dve izvedbe sklopanja (leva i desna) i u skladu s tim se povezuju priključni provodnici.

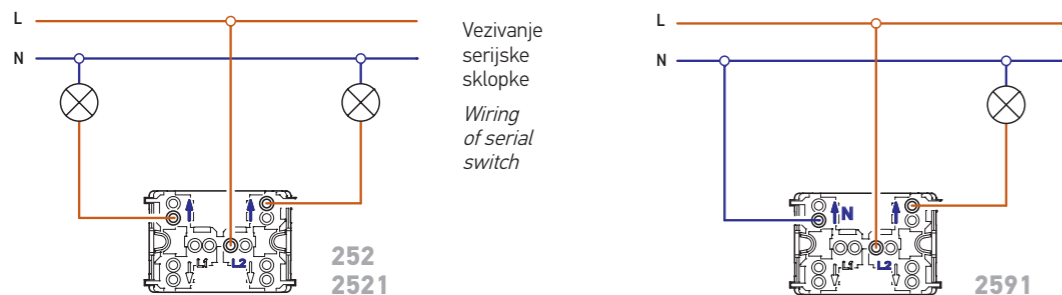
Single-pole switch is supplied in two wiring executions (left and right) and the conductors are connected accordingly.



253  
2531

Naizmjenične sklopke se takođe izrađuju u dve izvedbe sklopanja (leva i desna).

Two-way switches are also supplied in two wiring executions (left and right).

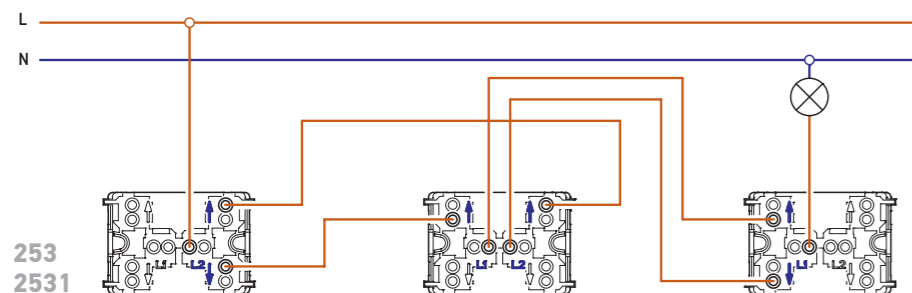


Vezivanje serijske sklopke  
Wiring of serial switch

252  
2521

Jednopolne indikatorske sklopke (indikacija svetli kada je sklopka uključena) za povezivanje zahtevaju nulti provodnik.

Single-pole indication switches (indication is on when the switch is on) require neutral conductor to be wired.

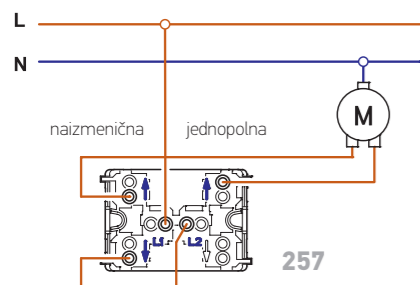


253  
2531

254  
2541

Ukrsnu sklopku povezujemo u kombinaciji sa naizmjeničnim sklopkama. Može se povezati neograničen broj ukrasnih sklopki u kombinaciji sa dve naizmjenične.

Intermediate switch is wired in combination with two-way switches. The unlimited number of intermediate switches may be wired in combination with two two-way switches.



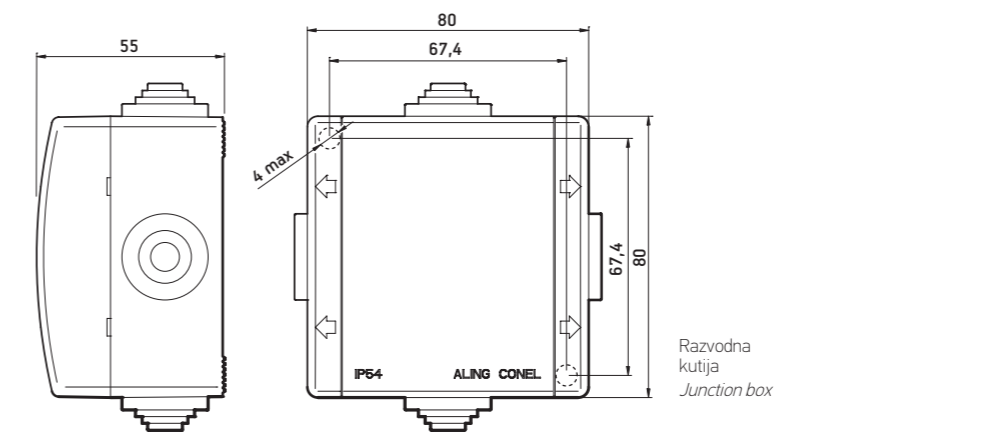
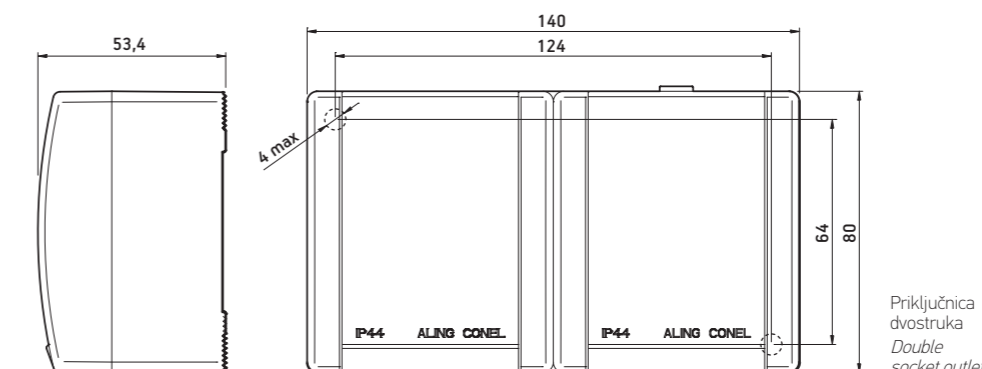
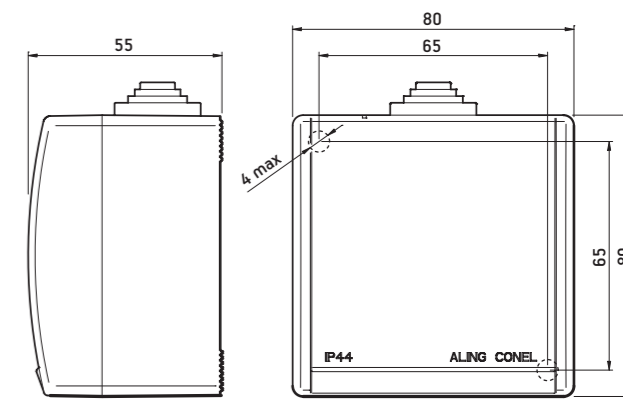
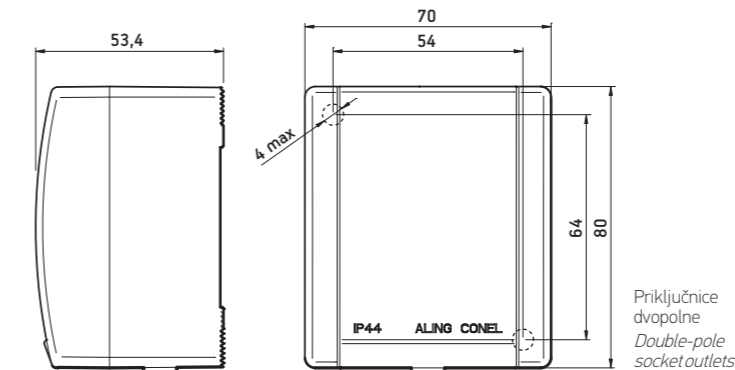
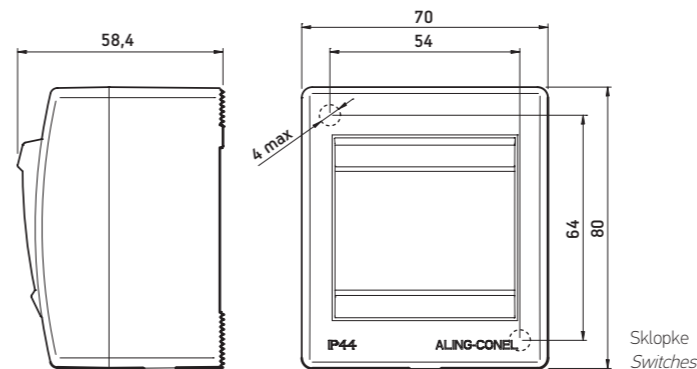
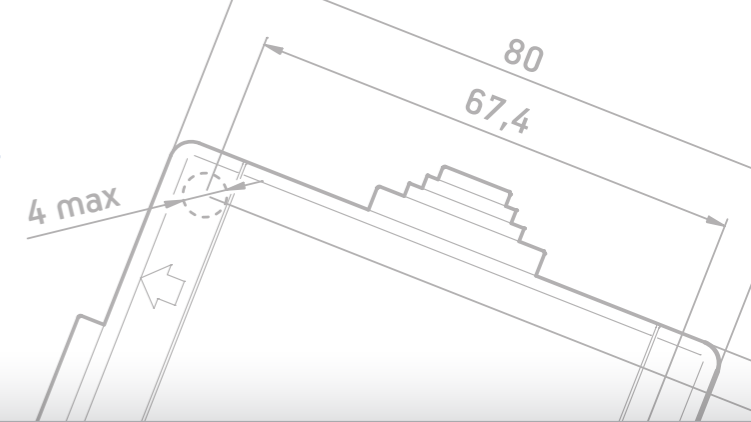
257

Taster sklopke za roletne povezujemo prema šemi koja obezbeđuje da elektromotor za pokretanje ne može istovremeno dobiti napajanje za kretanje dole i gore. Granični prekidači za zaustavljanje u gornjem ili donjem položaju su obavezni radi zaštite mehanizma.

Rolling shutter push-button switches are wired according to wiring diagram which secures that the electric motor for their movement is not simultaneously power supplied for up and down movement. The limit switches for their stopping in upper and lower positions are a MUST for protecting the mechanism.

# POWER line

## DIMENZIJE ZA UGRADNJU INSTALLATION DIMENSIONS





VISOKA OTPORNOST NA UDAR  
SA VISOKIM ESTETSKIM VREDNOSTIMA

*HIGH IMPACT RESISTANCE  
WITH HIGH AESTHETIC VALUES*

# ARMOR line

ARMOR LINE je metalni program napravljen da bude dopadljiv, robusan i da obezbedi izradu instalacija sa stepenom zaštite IP 55 prema IEC 60529.

Kompletno metalno kućište predstavlja pravi oklop postavljen da zaštiti od slučajnog udara i vandalskog napada sa stepenom zaštite IK07 prema IEC 62262.

*ARMOR LINE is a metal line designed to be pretty, robust and provide installation building with protection degree IP 55 according to IEC 60529.*

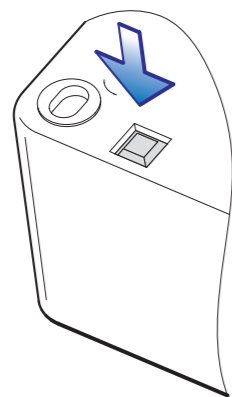
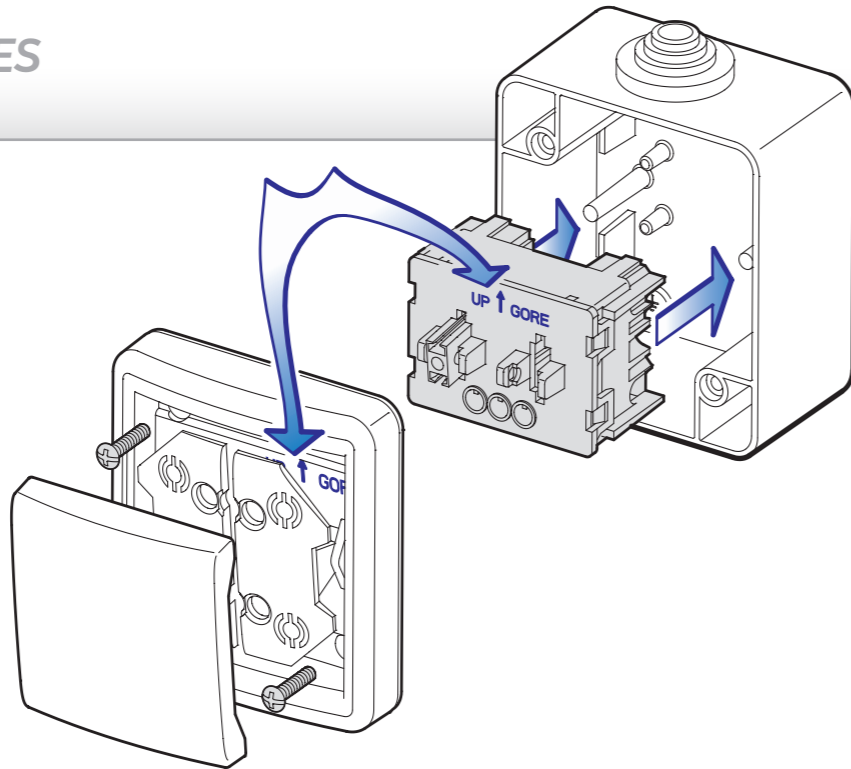
*All metal housing is a armoring installed to protect from random mechanical shock and vandalic stroke with protection degree IK07 in accordance with IEC 62262.*



## TEHNIČKE PREDNOSTI TECHNICAL ADVANTAGES

Sklopke na zid postavljamo jednostavnim pričvršćenjem kutije sa dva vijka prečnika najbolje 3,5 - 4 mm (mogu se koristiti bilo koji vijci u zavisnosti od podloge), standardnim provlačenjem kabla kroz uvodnicu i priključenjem provodnika. Sklopku postavimo na oslonce u kutiji i blok pričvrstimo pripadajućim vijcima. Da bi se obezbedio stepen zaštite IP 54 prilikom postavljanja tela sklopke i bloka vodimo računa o tome koju stranu okrenuti prema gore.

*We install the wall mounted switches by simple fixing of the box by two screws of preferable dia. 3,5-4 mm (any screws may be used depending on base), by standard cable pulling through the cable bushing and conductor connecting. We set up the switch onto the supports in the box and we fasten the block by relevant screws. When setting up the switch body and the block we take care which side to turn upwards in order to provide IP 54 level of protection.*

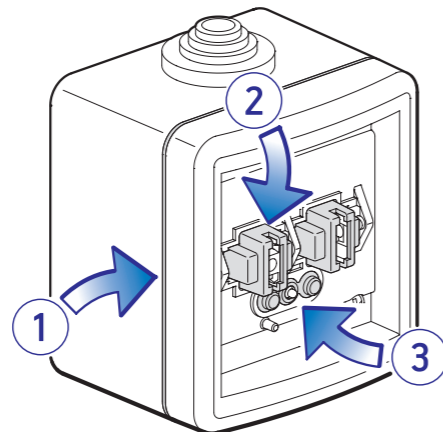


Ukoliko je kućište potrebno snabdeti otvorima za oticanje kondenzovane vlage ili vode koja je prodršla u unutrašnjost, dovoljno je snažnim udarcem izbiti kvadratni deo na oslabljenom dnu kutije.

*If the housing is to be provided with holes for discharging of condensed moisture or water penetrated inside, it is sufficient to punch strongly to the weakened points on box bottom.*

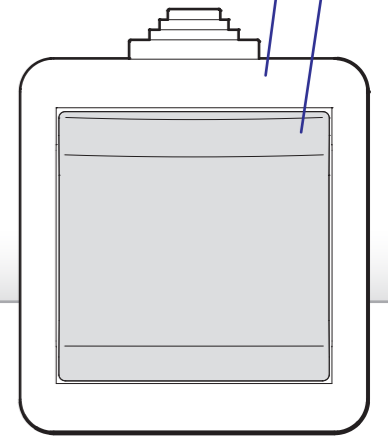
Posebnom izvedbom zaptivnih elemenata obezbeđuje se zaštita od prodora vode i prašine na spojevima kutije i bloka (1), oko veze tastera i tipkala za preklapanje (2) i oko signalne tinjalice (3), čime se postiže visok IP stepen zaštite.

*With special design of sealing gland protection from water and dust is provided on box and block connection (1), around button and rocker connection (2) and pilot light (3). This is design for high IP level of protection.*



## BOJE PREDNJIH ELEMENATA FRONT ELEMENTS COLORS

art.281.XX



Površinska zaštita metala izvedena je visokokvalitetnim premazom otpornim na oštećenja koji se izrađuje u dve boje.

Označavanje proizvoda izvedeno je u skladu sa korišćenim bojama:

**prva cifra** - šifra boje kućišta

**druga cifra** - šifra boje tastera sklopke ili poklopca priključnice

*Metal surface protection is derived with high quality coat resistant to damaging which can be made in two colors.*

*Product marking is given by two-digit code of product describing the particular elements:*

**first digit** - code of housing colour

**second digit** - code of switch button colour or socket cover

**x = 1**



Siva  
Grey  
RAL 7035

**x = A**



Antracit  
Anthracite  
RAL 3004



# ARMOR line

## SKLOPKE SWITCHES

- Metalno kućište
- Stepen zaštite **IP55 / IK08**
- Usaglašeno sa IEC 60669-1,
- Ugradnja na zid pomoću vijaka prečnika do 4 mm

- Metal housing
- Protection level **IP55 / IK08**
- Complied with IEC 60669-1,
- Wall mounting by screws dia. to 4 mm



### 281.1A

Sklopka jednapolna  
10AX/250V- **IP55/IK08**

*Single-pole switch  
10AX/250V- **IP55/IK08***



### 285.1A

Taster sklopka za svetlo  
10A/250V- **IP55/IK08**

*Light push-button switch  
10A/250V- **IP55/IK08***



### 287.1A

Taster sklopka  
za roletne  
10A/250V-**IP55/IK08**

*Rolling shutter  
push-button switch  
10A/250V-**IP55/IK08***

- Dve taster sklopke za direktno pokretanje elektromotora za dizanje i spuštanje roletni,
- Blokada mogućnosti uključanja kretanja istovremeno u oba smera

- *Two push-button switches for direct activation of rolling shutters lifting and lowering electric motor*
- *Locking of movement switching-in possibilities simultaneously in both directions*



### 282.1A

Sklopka serijska  
10AX/250V- **IP55/IK08**

*Serial switch  
10AX/250V- **IP55/IK08***



### 285I.1A

Taster sklopka za svetlo  
sa indikacijom  
10A/250V-**IP55/IK08**

*Light push-button switch  
with indication  
10A/250V-**IP55/IK08***

- Indikacija svetli kada je sklopka isključena
- *Indication is on when the switch is off*



### 2811.1A

Sklopka jednapolna  
sa indikacijom  
10AX/250V-**IP55/IK08**

*Single-pole switch  
with indication  
10AX/250V-**IP55/IK08***

- Indikacija svetli kada je sklopka isključena
- *Indication is on when the switch is off*



### 2841.1A

Sklopka ukrсна  
sa indikacijom  
10AX/250V-**IP55/IK08**

*Intermediate switch  
with indication  
10AX/250V-**IP55/IK08***

- Indikacija svetli kada je strujno kolo otvoreno
- *Indication is on when the circuit is open*



### 283.1A

Sklopka naizmenična  
10AX/250V-**IP55/IK08**

*Two-way switch  
10AX/250V-**IP55/IK08***



### 286.1A

Taster sklopka za zvono  
10A/250V-**IP55/IK08**

*Bell push-button switch  
10A/250V-**IP55/IK08***



### 2821.1A

Sklopka serijska  
sa indikacijom  
10AX/250V-**IP55/IK08**

*Serial switch  
with indication  
10AX/250V- **IP55/IK08***

- Indikacija svetli kada je sklopka isključena
- *Indication is on when the switch is off*



### 289.1A

Sklopka jednapolna  
sa indikacijom  
16AX/250V-**IP55/IK08**

*Single-pole switch  
with indication  
16AX/250V- **IP55/IK08***

- Indikacija svetli kada je sklopka isključena
- *Indication is on when the switch is off*



### 284.1A

Sklopka ukrсна  
10AX/250V-**IP55/IK08**

*Intermediate switch  
10AX/250V-**IP55/IK08***



### 286I.1A

Taster sklopka za zvono  
sa indikacijom  
10A/250V-**IP55/IK08**

*Bell push-button switch  
with indication  
10A/250V-**IP55/IK08***

- Indikacija svetli kada je sklopka isključena
- *Indication is on when the switch is off*



### 2831.1A

Sklopka naizmenična  
sa indikacijom  
10AX/250V-**IP55/IK08**

*Two-way switch  
with indication  
10AX/250V- **IP55/IK08***

- Indikacija svetli kada je strujno kolo otvoreno
- *Indication is on when the circuit is open*



### 2891.1A

Sklopka jednapolna  
sa indikacijom  
16AX/250V- **IP55/IK08**

*Single-pole switch  
with indication  
16AX/250V- **IP55/IK08***

- Indikacija svetli kada je sklopka uključena
- *Indication is on when the switch is on*

## ARMOR line

### PRIKLJUČNICE SOCKET OUTLETS

- Metalno kućište
- Stepen zaštite **IP55 / IK08**
- Usaglašeno sa IEC 60884-1,
- Ugradnja na zid pomoću vijaka prečnika do 4 mm

- Metal housing
- Protection level **IP55 / IK08**
- Complied with IEC 60884-1,
- Wall mounting by screws dia. to 4 mm

- Metalno kućište
- Stepen zaštite **IP55 / IK08**
- Usaglašeno sa IEC 60670-1,
- Ugradnja na zid pomoću vijaka prečnika do 4 mm
- Uvodnice za kablove do ø14 mm

- Metal housing
- Protection level **IP55 / IK08**
- Complied with IEC 60670-1,
- Wall mounting by screws dia. to 4 mm
- Cable bushings to ø14 mm

## ARMOR line

### RAZVODNE KUTIJE JUNCTION BOXES



#### 271.1A

Priključnica dvopolna 16A/250V-  
**IP55/IK08** sa porcelanskim jezgrom

*Double-pole socket outlet  
16A/250V- **IP55/IK08** with  
porcelain insert*



#### 2711.1A

Priključnica dvopolna  
16A/250V- **IP55/IK08** sa  
polikarbonatskim jezgrom

*Double-pole socket outlet  
16A/250V- **IP55/IK08** with  
polycarbonate insert*



#### 292.1

Kutija razvodna  
sa 4 uvoda za na zid  
80x70 500V **IP55**

*Wall mounted junction box  
with 4 cable glands  
80x70 500V **IP55***



#### 293.1

Kutija razvodna  
sa 6 uvoda za na zid  
80x80 500V **IP55**

*Wall mounted junction box  
with 6 cable glands  
80x80 500V **IP55***

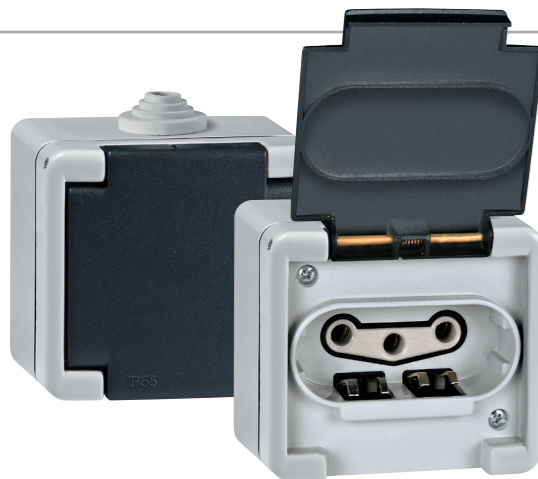


#### 2751.1A

Priključnica dvopolna  
16A/250V- **IP55/IK08** sa  
polikarbonatskim jezgrom  
Francuski standard

*Double-pole socket outlet 16A/250V-  
**IP55/IK08** with polycarbonate insert  
French standard*

- Usaglašeno sa NF C 61-314
- Complied with NF C 61-314



#### 273.1A

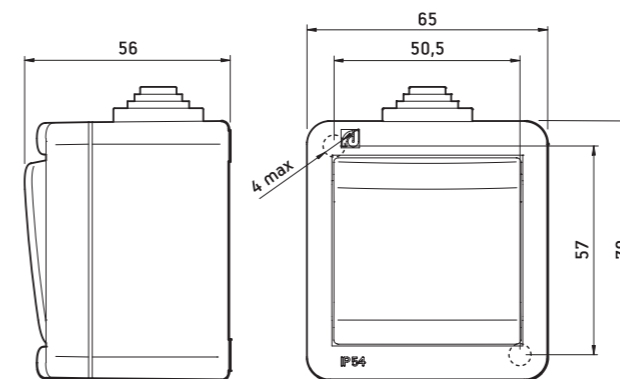
Priključnica tropolna 16A/440V-  
**IP55/IK08** sa porcelanskim jezgrom

*Tripolar socket outlet 16A/440V-  
**IP55/IK08** with porcelain insert*

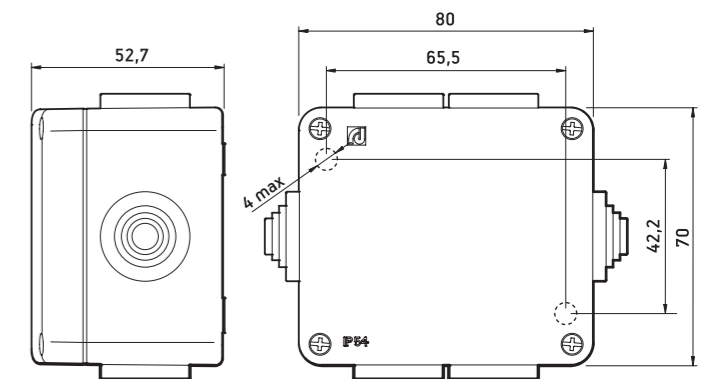
#### 2731.1A

Priključnica tropolna 16A/440V-  
**IP55/IK08** sa polikarbonatskim jezgrom

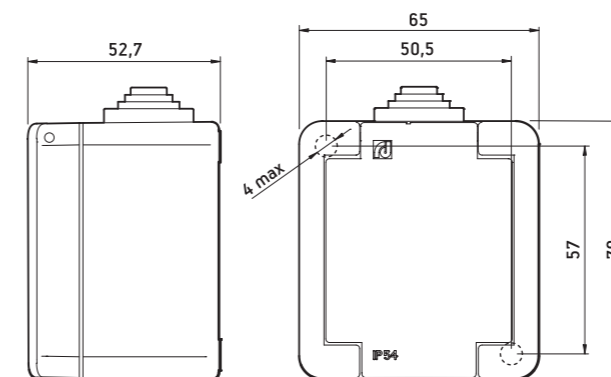
*Tripolar socket outlet 16A/440V-  
**IP55/IK08** with polycarbonate insert*



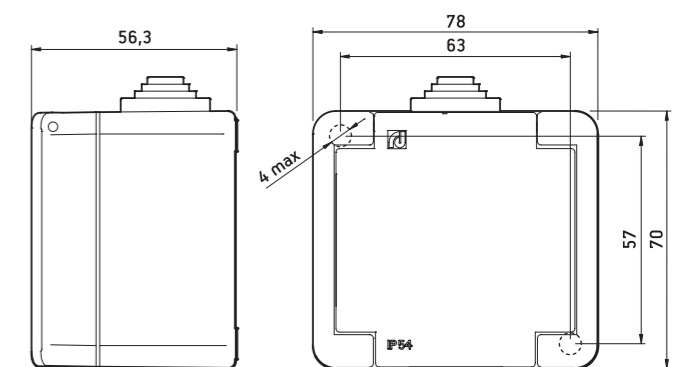
Sklopke  
Switches



Razvodna kutija  
Junction box



Priključnice dvopolne  
Double-pole socket outlets

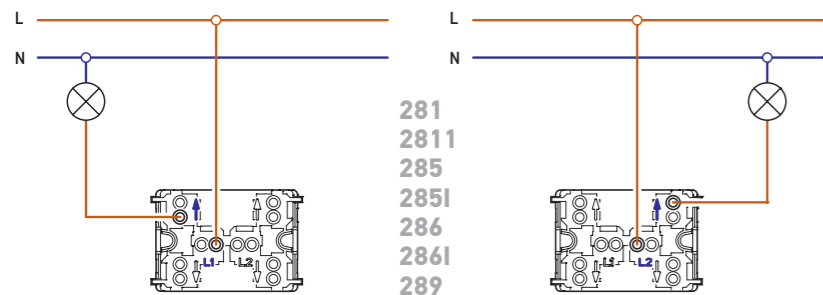


Priključnica tropolna  
Tripolar socket outlet



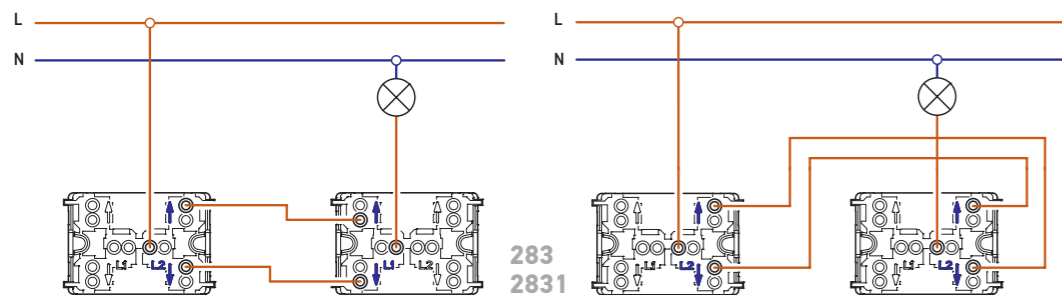
# ARMOR line

## ŠEME VEZIVANJA WIRING DIAGRAMS



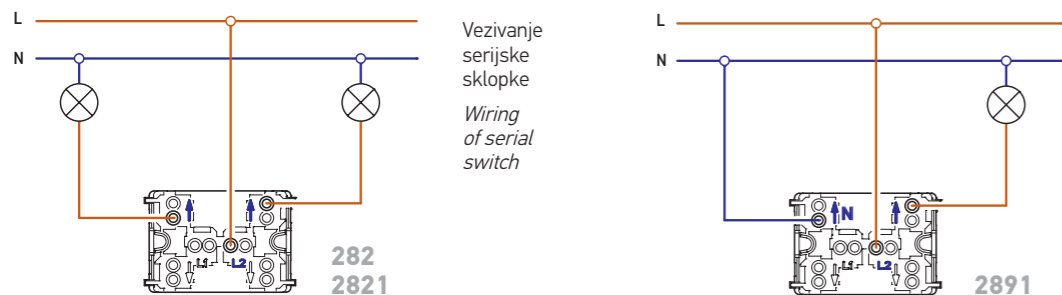
281  
2811  
285  
285I  
286  
286I  
289

Jednopolna sklopka ima dve izvedbe sklopanja (leva i desna) i u skladu s tim se povezuju priključni provodnici.  
*Single-pole switch is supplied in two wiring executions (left and right) and the conductors are connected accordingly.*



283  
2831

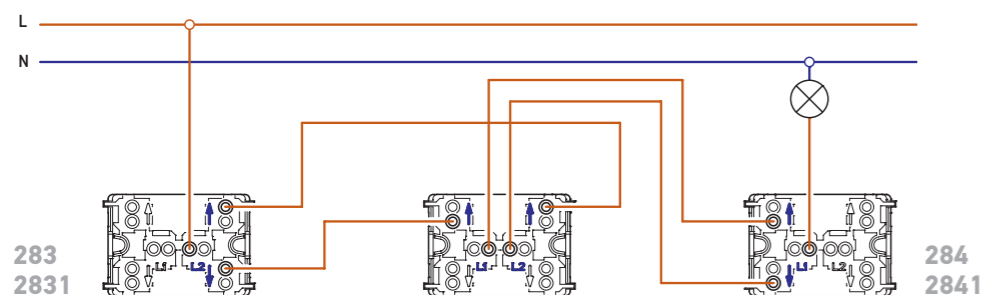
Naizmernične sklopke se takođe izrađuju u dve izvedbe sklopanja (leva i desna).  
*Two-way switches are also supplied in two wiring executions (left and right).*



282  
2821

Vezivanje serijske sklopke  
*Wiring of serial switch*

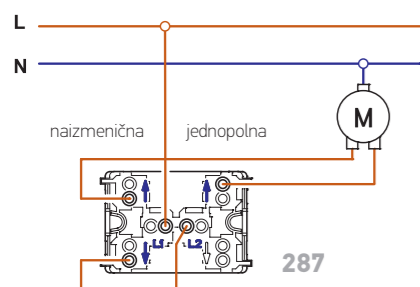
Jednopolne indikatorske sklopke (indikacija svetli kada je sklopka uključena) za povezivanje zahtevaju nulti provodnik.  
*Single-pole indication switches (indication is on when the switch is on) require neutral conductor to be wired.*



283  
2831

284  
2841

Ukrsnu sklopku povezujemo u kombinaciji sa naizmerničnim sklopkama. Može se povezati neograničen broj ukrasnih sklopki u kombinaciji sa dve naizmernične.  
*Intermediate switch is wired in combination with two-way switches. The unlimited number of intermediate switches may be wired in combination with two two-way switches.*



287

Taster sklopke za roletne povezujemo prema šemi koja obezbeđuje da elektromotor za pokretanje ne može istovremeno dobiti napajanje za kretanje dole i gore. Granični prekidači za zaustavljanje u gornjem ili donjem položaju su obavezni radi zaštite mehanizma.  
*Rolling shutter push-button switches are wired according to wiring diagram which secures that the electric motor for their movement is not simultaneously power supplied for up and down movement. The limit switches for their stopping in upper and lower positions are a MUST for protecting the mechanism.*

## VISOK STEPEN IP ZAŠTITE HIGH IP PROTECTION LEVEL

Elektroinstalacioni OG  
program stepena zaštite  
IP54 i IP55

Electrical installation program  
with protection level  
IP54 and IP55



# ALING OG



# ALING OG

## SKLOPKE SWITCHES

- Stepen zaštite **IP55**
- Usaglašeno sa IEC 60669-1,
- Ugradnja na zid pomoću vijaka prečnika do 4,5 mm

- Protection level **IP55**
- Complied with IEC 60669-1,
- Wall mounting by screws dia. to 4,5 mm

- Stepen zaštite **IP54**
- Usaglašeno sa IEC 60884-1,
- Ugradnja na zid pomoću vijaka prečnika do 4,5 mm

- Protection level **IP54**
- Complied with IEC 60884-1,
- Wall mounting by screws dia. to 4,5mm

# ALING OG

## PRIKLJUČNICE SOCKET OUTLETS



**210**  
Sklopka jednopolna  
10AX/250V~ **IP55**  
  
*Single-pole switch  
10AX/250V~IP55*



**217**  
Taster sklopka za svetlo  
10A/250V~**IP55**  
  
*Light push-button switch  
10A/250V~ IP55*



**201**  
Priključnica  
dvpolna 16A/250V~  
**IP54** sa porcelanskim  
jezgom  
  
*Double-pole socket  
outlet 16A/250V~ IP54  
with porcelain insert*



**203**  
Priključnica  
tropolna 16A/440V~  
**IP54** sa porcelanskim  
jezgom  
  
*Tripolar socket  
outlet 16A/440V~  
IP54 with porcelain  
insert*



**212**  
Sklopka serijska  
10AX/250V~ **IP55**  
  
*Serial switch  
10AX/250V~ IP55*



**220**  
Taster sklopka za zvono  
10A/250V~ **IP55**  
  
*Bell push-button switch  
10A/250V~ IP55*



**214**  
Sklopka naizmjenična  
10AX/250V~ **IP55**  
  
*Two-way switch  
10AX/250V~IP55*



**225**  
Sklopka jednopolna  
16AX/250V~ **IP55**  
  
*Single-pole switch  
16AX/250V~ IP55*



**218**  
Sklopka ukrсна  
10AX/250V~ **IP55**  
  
*Intermediate switch  
10AX/250V~ IP55*

# ALING OG

## RAZVODNE KUTIJE JUNCTION BOXES

- Stepen zaštite **IP 55**
- Usaglašeno sa IEC 60670-1,
- Ugradnja na zid pomoću vijaka prečnika do 4,5 mm
- Uvodnice za kablove do ø14 mm

- Protection level **IP 55**
- Complied with IEC 60670-1,
- Wall mounting by screws dia. to 4,5 mm
- Cable bushings to ø14 mm



**221**  
Kutija razvodna  
sa 4 uvoda za na zid  
76x76 500V **IP55**  
  
*Wall mounted junction box  
with 4 cable glands  
76x76 500V IP55*



**223**  
Kutija razvodna  
sa 6 uvoda za na zid  
76x76 500V **IP55**  
  
*Wall mounted junction box  
with 6 cable glands  
76x76 500V IP55*



**2211**  
Kutija razvodna  
bez uvoda za na zid  
76x76 500V **IP55**  
  
*Wall mounted junction box  
without cable glands  
76x76 500V IP55*


**PRIKLJUČNI  
PRIBOR**  
**CONNECTING  
ACCESSORIES**


ALING-CONEL u svom asortimanu priključnog pribora nudi široku paletu utikača, setova i prenosnih priključnica proizvedenih savremenim tehnološkim postupcima, uz usaglašenost sa najnovijim zakonskim normama i regulativama

ALING-CONEL in its range of connecting accessories offers a wide range of plugs, sets and portable socket outlets produced with modern technological processes, in compliance with the latest legal standards and regulations

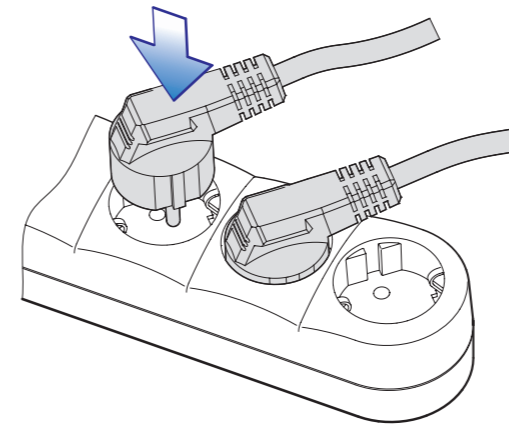
# PRIKLJUČNI PRIBOR

**ALING-CONEL**

**x = 0**  Bela  
White

**x = A**  Grafit  
Graphite

**PRIKLJUČNI PRIBOR**  
**CONNECTING ACCESSORIES**



Priključnice su izvedene pod određenim uglom, tako da je omogućeno umetanje L izvedbe utikača u susednu priključnicu bez smetnje.

Sockets outlets are made with some angle, so as inserting L-type plugs into nearby socket is enabled without disturbance.

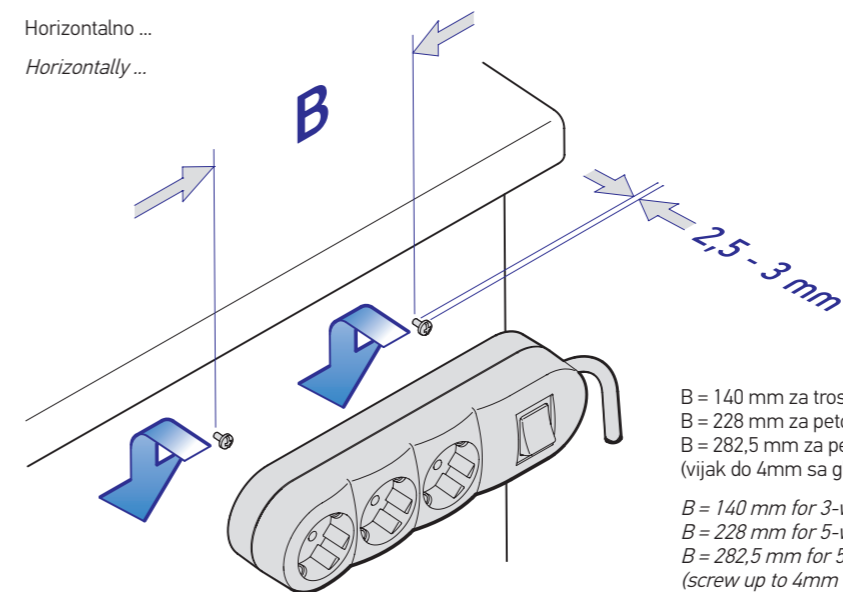
Postolje na sebi ima otvore pomoću kojih se prenosna priključnica pomoću 2 vijka može montirati na podlogu:

The base is provided with holes for surface mounting by 2 screws:

ili vertikalno na vertikalnu površinu radnog stola, zid, ...

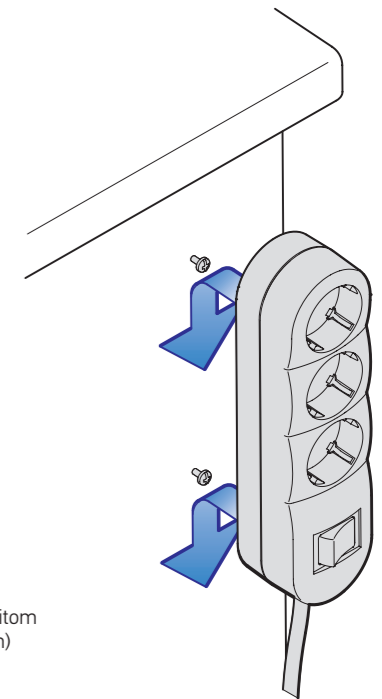
or vertically onto vertical worktable surface, wall, ...

Horizontalno ...  
Horizontally ...



B = 140 mm za trostruke,  
B = 228 mm za petostruke,  
B = 282,5 mm za petostruke sa zaštitom  
(vijak do 4mm sa glavom do 7,5 mm)

B = 140 mm for 3-way sockets,  
B = 228 mm for 5-way sockets,  
B = 282,5 mm for 5-way sockets with protection  
(screw up to 4mm with head up to 7,5 mm)



**4431.x**  
• sa kablom dužine 1,5m  
• with 1,5m cord

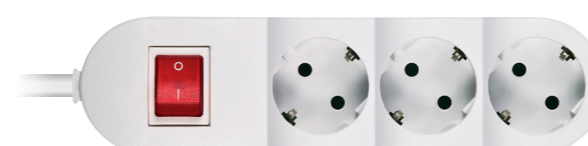
Priključnica prenosna nerastavna trostruka bez sklopke, max 3600W, 3x16A 250V~

Triple portable socket outlet unwireable without switch, max 3600W, 3x16A 250V~



**4433.x**  
• sa kablom dužine 3m  
• with 3m cord

- Usaglašeno sa IEC 60884-1,
- Priključni kabl PP/J-Y (H05VV-F) 3x1,5mm<sup>2</sup>,
- Zaštita od dodira kontakta,
- Gabaritne dimenzije 219 x 58 x 48 mm
- Complied with IEC 60884-1,
- Connection cord H05VV-F 3x1,5mm<sup>2</sup>,
- Touch protection,
- Overall dimensions 219 x 58 x 48 mm



**44301.x**  
• sa kablom dužine 1,5m  
• with 1,5m cord

Priključnica prenosna nerastavna trostruka sa dvopolnom indikatorskom sklopkom, max 3600W, 3x16A 250V~

Triple portable socket outlet unwireable with bipolar indication switch, max 3600W, 3x16A 250V~

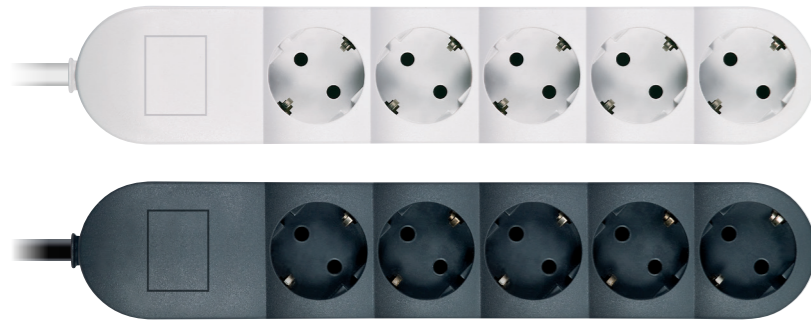


**44305.x**  
• sa kablom dužine 5m  
• with 5m cord

- Usaglašeno sa IEC 60884-1,
- Priključni kabl PP/J-Y (H05VV-F) 3x1,5mm<sup>2</sup>,
- Zaštita od dodira kontakta,
- Gabaritne dimenzije 219 x 58 x 48 mm

**44306.x**  
• sa kablom dužine 10m  
• with 10m cord

- Complied with IEC 60884-1,
- Connection cord H05VV-F 3x1,5mm<sup>2</sup>,
- Touch protection,
- Overall dimensions 219 x 58 x 48 mm

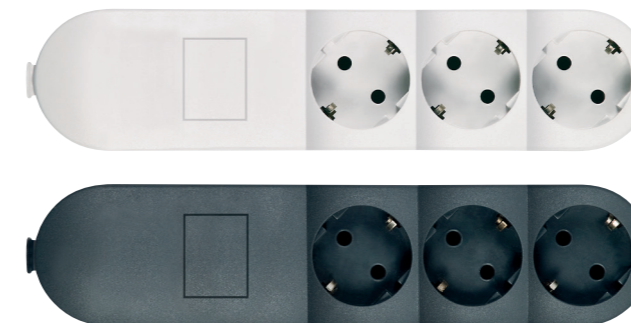


- 4451.x**
- sa kablom dužine 1,5m
  - with 1,5m cord
- 4453.x**
- sa kablom dužine 3m
  - with 3m cord
- 4455.x**
- sa kablom dužine 5m
  - with 5m cord
- 4456.x**
- sa kablom dužine 10m
  - with 10m cord

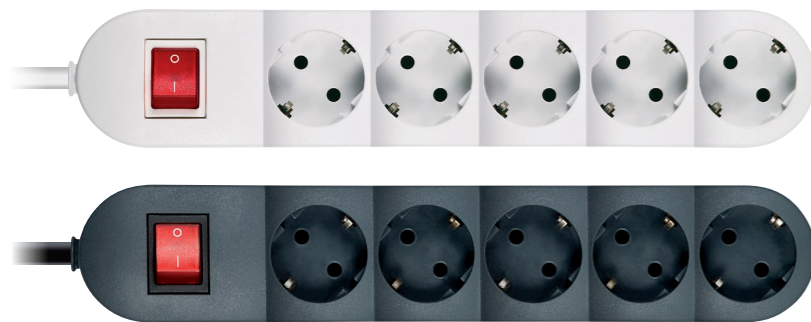
Priključnica prenosna nerastavna petostruka bez sklopke, max 3600W, 5x16A 250V~

*Fivefold portable socket outlet unwireable without switch, max 3600W, 5x16A 250V~*

- Usaglašeno sa IEC 60884-1,
- Priključni kabl PP/J-Y (H05VV-F) 3x1,5mm<sup>2</sup>,
- Zaštita od dodira kontakta,
- Gabaritne dimenzije 307 x 58 x 48 mm
- Complied with IEC 60884-1,
- Connection cord H05VV-F 3x1,5mm<sup>2</sup>,
- Touch protection,
- Overall dimensions 307 x 58 x 48 mm



- 443.x**
- Priključnica prenosna trostruka bez kabela, max 3600W, 3x16A 250V~
- Triple portable socket outlet without cord, max 3600W, 3x16A 250V~*
- Usaglašeno sa IEC 60884-1,
  - Zaštita od dodira kontakta,
  - Gabaritne dimenzije 249 x 58 x 48 mm
  - Complied with IEC 60884-1,
  - Touch protection,
  - Overall dimensions 249 x 58 x 48 mm
- 4403.x**
- Priključnica prenosna trostruka bez kabela, sa dvopolnom indikatorskom sklopkom, max 3600W, 3x16A 250V~
- Triple portable socket outlet without cord, with double-pole indication switch, max 3600W, 3x16A 250V~*
- Usaglašeno sa IEC 60884-1,
  - Zaštita od dodira kontakta,
  - Gabaritne dimenzije 249 x 58 x 48 mm
  - Complied with IEC 60884-1,
  - Touch protection,
  - Overall dimensions 249 x 58 x 48 mm

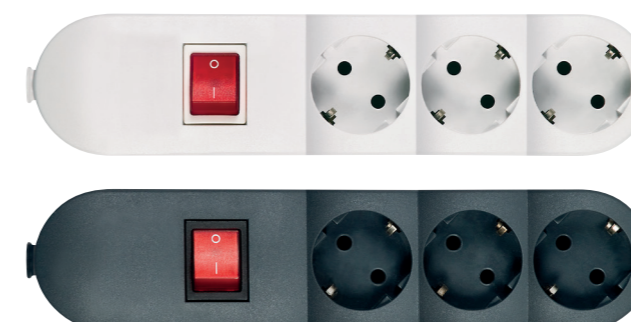


- 44501.x**
- sa kablom dužine 1,5m
  - with 1,5m cord
- 44503.x**
- sa kablom dužine 3m
  - with 3m cord
- 44505.x**
- sa kablom dužine 5m
  - with 5m cord
- 44506.x**
- sa kablom dužine 10m
  - with 10m cord

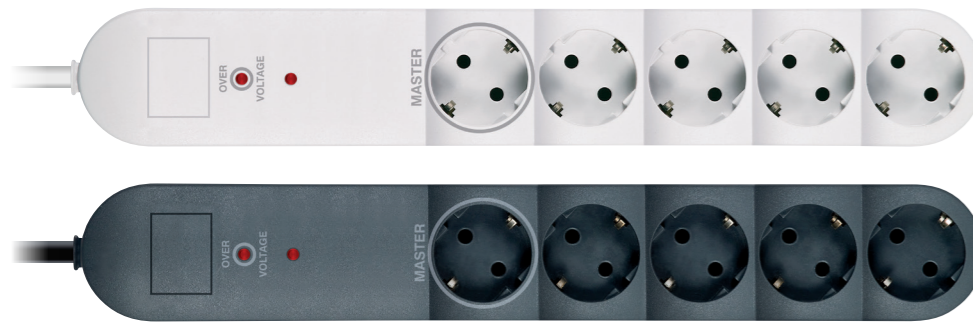
Priključnica prenosna nerastavna petostruka, sa dvopolnom indikatorskom sklopkom, max 3600W, 5x16A 250V~

*Fivefold portable socket outlet unwireable, with double-pole indication switch, max 3600W, 5x16A 250V~*

- Usaglašeno sa IEC 60884-1,
- Priključni kabl PP/J-Y (H05VV-F) 3x1,5mm<sup>2</sup>,
- Zaštita od dodira kontakta,
- Gabaritne dimenzije 307 x 58 x 48 mm
- Complied with IEC 60884-1,
- Connection cord H05VV-F 3x1,5mm<sup>2</sup>,
- Touch protection,
- Overall dimensions 307 x 58 x 48 mm



- 4403.x**
- Priključnica prenosna trostruka bez kabela, sa dvopolnom indikatorskom sklopkom, max 3600W, 3x16A 250V~
- Triple portable socket outlet without cord, with double-pole indication switch, max 3600W, 3x16A 250V~*
- Usaglašeno sa IEC 60884-1,
  - Zaštita od dodira kontakta,
  - Gabaritne dimenzije 249 x 58 x 48 mm
  - Complied with IEC 60884-1,
  - Touch protection,
  - Overall dimensions 249 x 58 x 48 mm
- 4405.x**
- Priključnica prenosna petostruka bez kabela, sa dvopolnom indikatorskom sklopkom, max 3600W, 5x16A 250V~
- Fivefold portable socket outlet without cord, with double-pole indication switch, max 3600W, 5x16A 250V~*
- Usaglašeno sa IEC 60884-1,
  - Zaštita od dodira kontakta,
  - Gabaritne dimenzije 339 x 58 x 48 mm
  - Complied with IEC 60884-1,
  - Touch protection,
  - Overall dimensions 339 x 58 x 48 mm



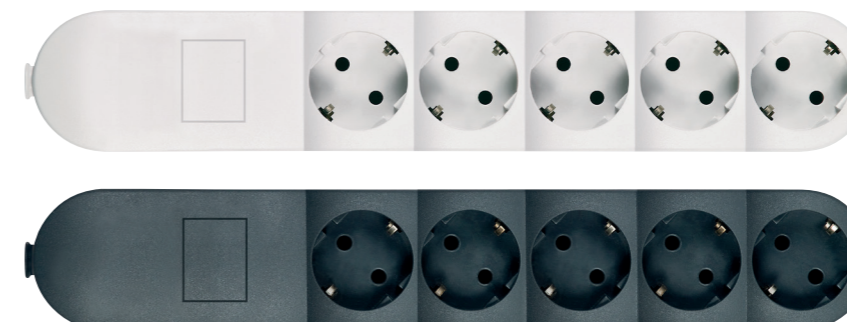
- 4461.x**
- sa prenaponskom zaštitom klase III, Up<1,5kV
  - with surge protection class III, Up<1,5kV
- 4491.x**
- sa prenaponskom zaštitom klase III, Up<1,5kV i 1+4 MASTER-SLAVE (snaga uključanja SLAVE priključnice min 15W)
  - with surge protection class III, Up<1,5kV and 1+4 MASTER-SLAVE (switching threshold min 15W)

Priključnica prenosna nerastavna petostruka, sa prenaponskom zaštitom, bez sklopke, max 3600W, 5x16A 250V~

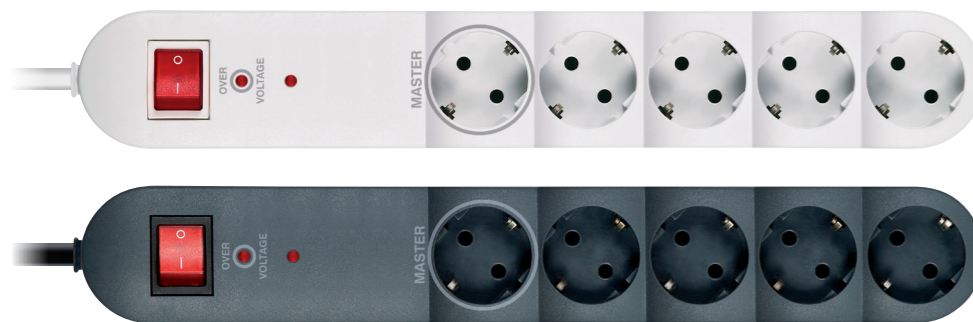
*Fivefold portable socket outlet unwireable, with surge protection, without switch, max 3600W, 5x16A 250V~*

- Usaglašeno sa IEC 60884-1, IEC 61643-1,
- Priključni kabl PP/J-Y (H05VV-F) 3x1,5mm<sup>2</sup> dužine 1,5m (3m i 5m po zahtevu),
- Zaštita od dodira kontakta,
- Gabaritne dimenzije 376 x 58 x 48 mm

- Complied with IEC 60884-1, IEC 61643-1,
- Connection cord H05VV-F 3x1,5mm<sup>2</sup> length 1,5m (3m, 5m on special request)
- Touch protection,
- Overall dimensions 376 x 58 x 48 mm



- 445.x**
- Priključnica prenosna petostruka bez kabela, max 3600W, 5x16A 250V~
- Fivefold portable socket outlet without cord, max 3600W, 5x16A 250V~*
- Usaglašeno sa IEC 60884-1,
  - Zaštita od dodira kontakta,
  - Gabaritne dimenzije 339 x 58 x 48 mm
  - Complied with IEC 60884-1,
  - Touch protection,
  - Overall dimensions 339 x 58 x 48 mm
- 4405.x**
- Priključnica prenosna petostruka bez kabela, sa dvopolnom indikatorskom sklopkom, max 3600W, 5x16A 250V~
- Fivefold portable socket outlet without cord, with double-pole indication switch, max 3600W, 5x16A 250V~*
- Usaglašeno sa IEC 60884-1,
  - Zaštita od dodira kontakta,
  - Gabaritne dimenzije 339 x 58 x 48 mm
  - Complied with IEC 60884-1,
  - Touch protection,
  - Overall dimensions 339 x 58 x 48 mm



- 44601.x**
- sa prenaponskom zaštitom klase III, Up<1,5kV
  - with surge protection class III, Up<1,5kV
- 44701.x**
- sa prenaponskom zaštitom klase III, Up<1,5kV i RFI/EMI filterom
  - with surge protection class III, Up<1,5kV, RFI/EMI filter

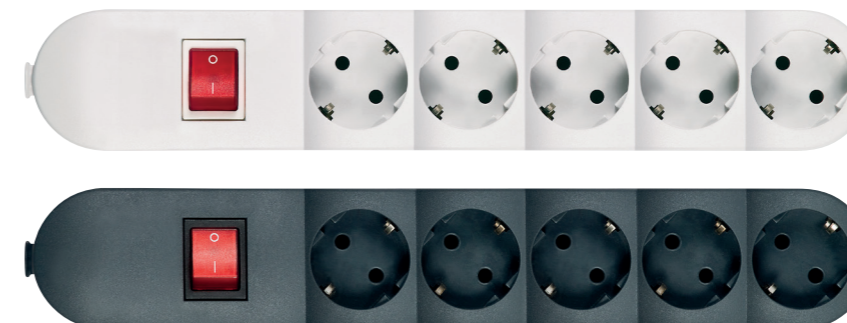
Priključnica prenosna nerastavna petostruka, sa prenaponskom zaštitom, sa dvopolnom indikatorskom sklopkom, max 3600W, 5x16A 250V~

*Fivefold portable socket outlet unwireable, with surge protection, with double-pole indication switch, max 3600W, 5x16A 250V~*

- Usaglašeno sa IEC 60884-1, IEC 61643-1,
- Priključni kabl PP/J-Y (H05VV-F) 3x1,5mm<sup>2</sup> dužine 1,5m (3m i 5m po zahtevu),
- Zaštita od dodira kontakta,
- Gabaritne dimenzije 376 x 58 x 48 mm

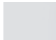
- 44801.x**
- sa prenaponskom zaštitom klase III, Up<1,5kV, RFI/EMI filterom i prenaponskim filterom za telefon/modem/fax liniju
  - with surge protection class III, Up<1,5kV, RFI/EMI filter and surge filter for phone/modem/fax line
- 44901.x**
- sa prenaponskom zaštitom klase III, Up<1,5kV i 1+4 MASTER-SLAVE (snaga uključanja SLAVE priključnice min 15W)
  - with surge protection class III, Up<1,5kV and 1+4 MASTER-SLAVE (switching threshold min 15W)


- Complied with IEC 60884-1, IEC 61643-1,
- Connection cord H05VV-F 3x1,5mm<sup>2</sup> length 1,5m (3m, 5m on special request)
- Touch protection,
- Overall dimensions 376 x 58 x 48 mm

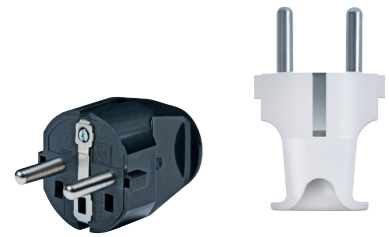


- 4405.x**
- Priključnica prenosna petostruka bez kabela, sa dvopolnom indikatorskom sklopkom, max 3600W, 5x16A 250V~
- Fivefold portable socket outlet without cord, with double-pole indication switch, max 3600W, 5x16A 250V~*
- Usaglašeno sa IEC 60884-1,
  - Zaštita od dodira kontakta,
  - Gabaritne dimenzije 339 x 58 x 48 mm
  - Complied with IEC 60884-1,
  - Touch protection,
  - Overall dimensions 339 x 58 x 48 mm



x = 0  Bela  
White

x = A  Grafit  
Graphite



301.13

**301.0**

Utikač dvopolni sa kontaktom za uzemljenje 16A/250V~

*Double-pole plug with earthing contact 16A 250V~*

- Usaglašeno sa IEC 60884-1,
- Mogućnost ugradnje kabla prečnika do 11 mm
- Complied with IEC 60884-1,
- The possibility of installing cable up to 11 mm



302.13

**302.0**

Utikač dvopolni bez kontakta za uzemljenje 2,5A/250V~ EURO

*Double-pole plug without earthing contact 2,5A 250V~ EURO*

- Usaglašeno sa IEC 60884-1,
- Mogućnost ugradnje pljosnatog kabla do 2 x 0,75 mm<sup>2</sup>
- Complied with IEC 60884-1,
- The possibility of installing flat cable up to 2 x 0,75 mm



303.13

**303.0**

Utikač trolpolni sa kontaktom za uzemljenje L-izvedbe 16A/440V~

*Tripolar plug with earthing contact L-type 16A 440V~*

- Mogućnost ugradnje kabla prečnika do 13 mm
- Izrada od materijala otpornog na udar
- The possibility of installing cable up to 13 mm
- Made from stroke resistant material



307.13

**307.0**

Utikač dvopolni sa kontaktom za uzemljenje 16A/250V~

*Double-pole plug with earthing contact 16A 250V~*

- Usaglašeno sa IEC 60884-1,
- Mogućnost ugradnje kabla prečnika do 11 mm
- Complied with IEC 60884-1,
- The possibility of installing cable up to 11 mm



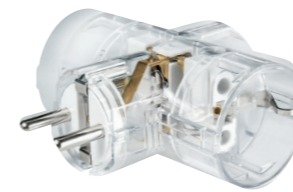
308.13

**308.0**

Utikač dvopolni sa kontaktom za uzemljenje L-izvedbe 16A/250V~

*Double-pole plug with earthing contact L-type 16A 250V~*

- Usaglašeno sa IEC 60884-1,
- Mogućnost ugradnje kabla prečnika do 11 mm
- Complied with IEC 60884-1,
- The possibility of installing cable up to 11 mm



320.T



**320.0**

Utikač dvopolni kombinovan sa 3 priključnice sa kontaktom za uzemljenje (T-razvodnik) 16A 250V~

*Double-pole plug combined with 3 sockets with earthing contact (T-adaptor) 16A 250V~*

- Usaglašeno sa IEC 60884-1,
- Max opterećenje 3600W
- Complied with IEC 60884-1,
- Max load 3600W



320.13



**216.0**

Sklopka jednapolna pregibna međugajtanska 16AX 250V~

*Single-pole intercord rocker switch 16AX 250V~*

- Usaglašeno sa IEC 60669-1,
- Mogućnost ugradnje kabla prečnika do 7 mm
- Complied with IEC 60669-1,
- The possibility of installing cable up to 7 mm



216.13



306.13

**306.0**

Utikač dvopolni masivni sa kontaktom za uzemljenje 16A/250V~ STANDARD

*Double-pole massive plug with earthing contact 16A 250V~ STANDARD*

- Usaglašeno sa IEC 60884-1,
- Mogućnost ugradnje kabla prečnika do 11 mm
- Izrada od materijala otpornog na nagnjećenja
- Complied with IEC 60884-1,
- The possibility of installing cable up to 11 mm
- Made from contusion resistant material



305.13

**305.0**

Utikač dvopolni masivni sa kontaktom za uzemljenje 16A/250V~ MEDIUM

*Double-pole massive plug with earthing contact 16A 250V~ MEDIUM*

- Usaglašeno sa IEC 60884-1,
- Mogućnost ugradnje kabla prečnika do 11 mm
- Izrada od materijala otpornog na nagnjećenja
- Complied with IEC 60884-1,
- The possibility of installing cable up to 11 mm
- Made from contusion resistant material



304.13



3004.13



**304.0**

Utikač dvopolni masivni sa kontaktom za uzemljenje 16A/250V~ CONEL

*Double-pole massive plug with earthing contact 16A 250V~ CONEL*

- Usaglašeno sa IEC 60884-1,
- Mogućnost ugradnje kabla prečnika do 11 mm
- Izrada od materijala otpornog na nagnjećenja
- Complied with IEC 60884-1,
- The possibility of installing cable up to 11 mm
- Made from contusion resistant material



406.13



4006.13



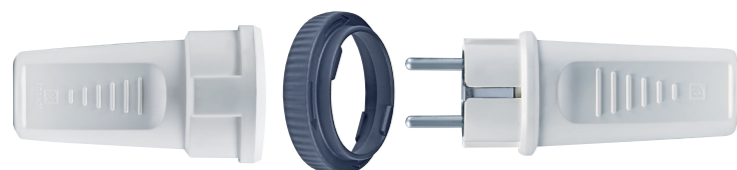
**406.0**

Priključnica prenosna dvopolna sa kontaktom za uzemljenje kuplung 16A/250V~

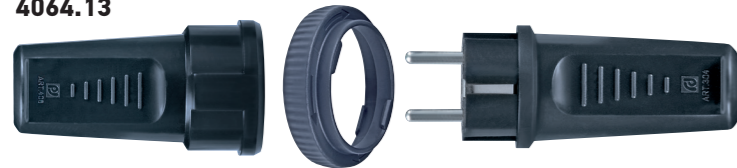
*Double-pole portable socket outlet with earthing contact 16A 250V~*

- Usaglašeno sa IEC 60884-1,
- Mogućnost ugradnje kabla prečnika do 11 mm
- Izrada od materijala otpornog na nagnjećenja
- Complied with IEC 60884-1,
- The possibility of installing cable up to 11 mm
- Made from contusion resistant material

## PRIKLJUČNI PRIBOR CONNECTING ACCESSORIES



**4064.13**



**4064.0**

Set pribora za produžni kabl (406, prsten za vezivanje, 304)  
16A 250V~ **CONEL**

*Cord extension set (406, connecting ring, 304)  
16A 250V~ CONEL*

- Usaglašeno sa IEC 60884-1,
- Mogućnost ugradnje kabla prečnika do 11 mm
- Izrada od materijala otpornog na nagnječenje,
- Prsten za vezivanje koji onemogućuje izvlačenje utikača
- *Complied with IEC 60884-1,*
- *The possibility of installing cable up to 11 mm*
- *Made from contusion resistant material*
- *Connecting ring for plug extraction disable*



**4065.13**



**4065.0**

Set pribora za produžni kabl (406, prsten za vezivanje, 305)  
16A 250V~ **MEDIUM**

*Cord extension set (406, connecting ring, 305)  
16A 250V~ MEDIUM*

- Usaglašeno sa IEC 60884-1,
- Mogućnost ugradnje kabla prečnika do 11 mm
- Izrada od materijala otpornog na nagnječenje,
- Prsten za vezivanje koji onemogućuje izvlačenje utikača
- *Complied with IEC 60884-1,*
- *The possibility of installing cable up to 11 mm*
- *Made from contusion resistant material*
- *Connecting ring for plug extraction disable*



**4066.13**



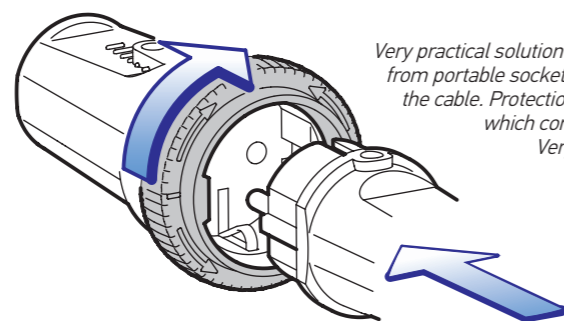
**4066.0**

Set pribora za produžni kabl (406, prsten za vezivanje, 306)  
16A 250V~ **STANDARD**

*Cord extension set (406, connecting ring, 306)  
16A 250V~ STANDARD*

- Usaglašeno sa IEC 60884-1,
- Mogućnost ugradnje kabla prečnika do 11 mm
- Izrada od materijala otpornog na nagnječenje,
- Prsten za vezivanje koji onemogućuje izvlačenje utikača
- *Complied with IEC 60884-1,*
- *The possibility of installing cable up to 11 mm*
- *Made from contusion resistant material*
- *Connecting ring for plug extraction disable*

Veoma praktično rešenje za zaštitu utikača od izvlačenja iz prenosne priključnice produžnih kablova koji se često povlače ili premeštaju tokom upotrebe. Zaštita se postiže pomoću prstena koji međusobno vezuje priključnicu i utikač. Veoma jednostavno za montažu i upotrebu.



*Very practical solution for protection of plug extraction from portable socket during the pulling and moving the cable. Protection is achieved by connecting ring which connect the socket outlet and plug. Very simple for assembling and use.*



**231.66**

**231.00**

**231.11**

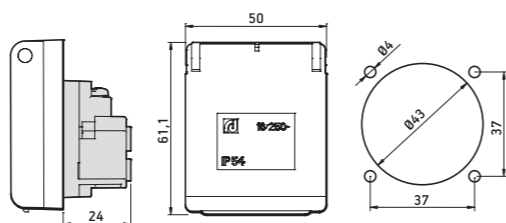
**231.44**

**231.xx**

Priključnica dvopolna  
IP 54 16A/250V~

*Double-pole socket outlet IP 54 16A 250V~*

- Usaglašeno sa IEC 60884-1,
- Ugradnja na panel pomoću vijaka
- *Complied with IEC 60884-1,*
- *Panel mounting by screws*



## INSTALACIONI PRIBOR INSTALLATION ACCESSORIES

Široka paleta  
instalacionog pribora

Wide range of  
installation accessories

# INSTALACIONI PRIBOR



**ALING-CONEL**



**9202.11**

Kutija razvodna za na zid izrađena od ABS g/w 650°C 100x100x50 **IP56** 500V

Wall mounted junction box made from ABS g/w 650°C 100x100x50 **IP56** 500V

- Usaglašeno sa IEC 60670-1,
- Ugradnja na zid pomoću 4 vijka prečnika do 05 mm
- Complied with IEC 60670-1,
- Wall mounting by 4 screws dia. to 5 mm

**9212.11**

Kutija razvodna za na zid izrađena od polikarbonata g/w 850°C 100x100x50 **IP56** 500V

Wall mounted junction box made from polycarbonate g/w 850°C 100x100x50 **IP56** 500V

- Usaglašeno sa IEC 60670-1,
- Ugradnja na zid pomoću 4 vijka prečnika do 05 mm
- Complied with IEC 60670-1,
- Wall mounting by 4 screws dia. to 5 mm



**9203.11**

Kutija razvodna za na zid izrađena od ABS g/w 650°C 150x110x70 **IP56** 500V

Wall mounted junction box made from ABS g/w 650°C 150x110x70 **IP56** 500V

- Usaglašeno sa IEC 60670-1,
- Ugradnja na zid pomoću 4 vijka prečnika do 05 mm
- Complied with IEC 60670-1,
- Wall mounting by 4 screws dia. to 5 mm

**9213.11**

Kutija razvodna za na zid izrađena od polikarbonata g/w 850°C 150x110x70 **IP56** 500V

Wall mounted junction box made from polycarbonate g/w 850°C 150x110x70 **IP56** 500V

- Usaglašeno sa IEC 60670-1,
- Ugradnja na zid pomoću 4 vijka prečnika do 05 mm
- Complied with IEC 60670-1,
- Wall mounting by 4 screws dia. to 5 mm



**92021.11**

Kutija razvodna za na zid sa 8 uvodnica Ø20 izrađena od ABS g/w 650°C 100x100x50 **IP56** 500V

Wall mounted junction box with 8 cable glands Ø20 made from ABS g/w 650°C 100x100x50 **IP56** 500V

- Usaglašeno sa IEC 60670-1,
- Ugradnja na zid pomoću 4 vijka prečnika do 05 mm
- Uvodnice za kablove Ø20 mm
- Complied with IEC 60670-1,
- Wall mounting by 4 screws dia. to 5 mm
- Cable bushings to Ø20 mm



**92031.11**

Kutija razvodna za na zid sa 10 uvodnica Ø20 izrađena od ABS g/w 650°C 150x110x70 **IP56** 500V

Wall mounted junction box with 10 cable glands Ø20 made from ABS g/w 650°C 150x110x70 **IP56** 500V

- Usaglašeno sa IEC 60670-1,
- Ugradnja na zid pomoću 4 vijka prečnika do 05 mm
- Uvodnice za kablove Ø20 mm
- Complied with IEC 60670-1,
- Wall mounting by 4 screws dia. to 5 mm
- Cable bushings to Ø20 mm



**9212.1T**

Kutija razvodna za na zid sa transparentnim poklopcem izrađena od polikarbonata g/w 850°C 100x100x50 **IP56** 500V

Wall mounted junction box with transparent cover made from polycarbonate g/w 850°C 100x100x50 **IP56** 500V

- Usaglašeno sa IEC 60670-1,
- Ugradnja na zid pomoću 4 vijka prečnika do 05 mm
- Complied with IEC 60670-1,
- Wall mounting by 4 screws dia. to 5 mm



**9213.1T**

Kutija razvodna za na zid sa transparentnim poklopcem izrađena od polikarbonata g/w 850°C 150x110x70 **IP56** 500V

Wall mounted junction box with transparent cover made from polycarbonate g/w 850°C 150x110x70 **IP56** 500V

- Usaglašeno sa IEC 60670-1,
- Ugradnja na zid pomoću 4 vijka prečnika do 05 mm
- Complied with IEC 60670-1,
- Wall mounting by 4 screws dia. to 5 mm



**9201.11**

Kutija razvodna za na zid sa 4 uvoda izrađena od ABS g/w 650°C Ø65 **IP44** 500V

Wall mounted junction box with 4 cable glands made from ABS g/w 650°C Ø65 **IP44** 500V

**9211.11**

Kutija razvodna za na zid sa 4 uvoda izrađena od polikarbonata g/w 850°C Ø65 **IP44** 500V

Wall mounted junction box with 4 cable glands made from polycarbonate g/w 850°C Ø65 **IP44** 500V

- Usaglašeno sa IEC 60670-1,
- Ugradnja na zid pomoću 2 vijka prečnika do 05 mm
- Uvodnice za kablove Ø20 mm
- Complied with IEC 60670-1,
- Wall mounting by 2 screws dia. to 5 mm
- Cable bushings to Ø20 mm



**931.0**

Uvodnica kablovska PVC za kablove do Ø20 mm

Cable gland PVC for cables up to Ø20 mm

- Ugradnja u otvor Ø23 mm
- Mounting into the hole Ø23 mm

**931.1**



**932.0**

Uvodnica kablovska PVC za kablove do Ø14 mm - otvorena

Cable gland PVC - open for cables up to Ø14 mm

- Ugradnja u otvor Ø20,5 mm
- Mounting into the hole Ø20,5 mm

**932.1**



**933.0**

Uvodnica kablovska PVC za kablove do Ø14 mm - zatvorena

Cable gland PVC - closed for cables up to Ø14 mm

- Ugradnja u otvor Ø20,5 mm
- Mounting into the hole Ø20,5 mm

**933.1**

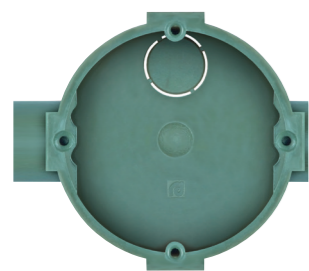


**9204.11**

Kutija razvodna za na zid izrađena od ABS g/w 650°C 150x110x120 **IP56** 500V

Wall mounted junction box made from ABS g/w 650°C 150x110x120 **IP56** 500V

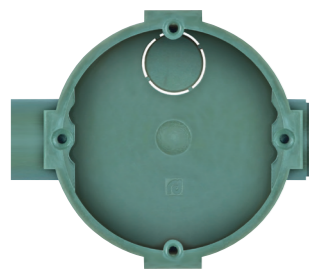
- Usaglašeno sa IEC 60670-1,
- Ugradnja na zid pomoću 4 vijka prečnika do 05 mm
- Complied with IEC 60670-1,
- Wall mounting by 4 screws dia. to 5 mm



**700**

Kutija montažna Ø60x40  
nizajuća za rastojanje 71mm  
*Mounting box Ø60x40  
for sequencing with 71mm step*

- Usaglašeno sa IEC 60670-1,
- Ugradnja u zid,
- Mogućnost instalacije pomoću stegača ili vijaka
- Complied with IEC 60670-1,
- Flush mounted,
- Accessory installation by clamps or screws



**800**

Kutija montažna Ø60x40  
nizajuća za rastojanje 80mm  
*Mounting box Ø60x40  
for sequencing with 80mm step*

- Usaglašeno sa IEC 60670-1,
- Ugradnja u zid,
- Mogućnost instalacije pomoću stegača ili vijaka
- Complied with IEC 60670-1,
- Flush mounted,
- Accessory installation by clamps or screws



**804**

Kutija montažna Ø70  
za trolne priključnice  
*Mounting box Ø70  
for three pole sockets*

- Usaglašeno sa IEC 60670-1,
- Ugradnja u zid,
- Mogućnost instalacije pomoću vijaka
- Complied with IEC 60670-1,
- Flush mounted,
- Accessory installation by screws



**910.T**

- Transparentna
- Transparent

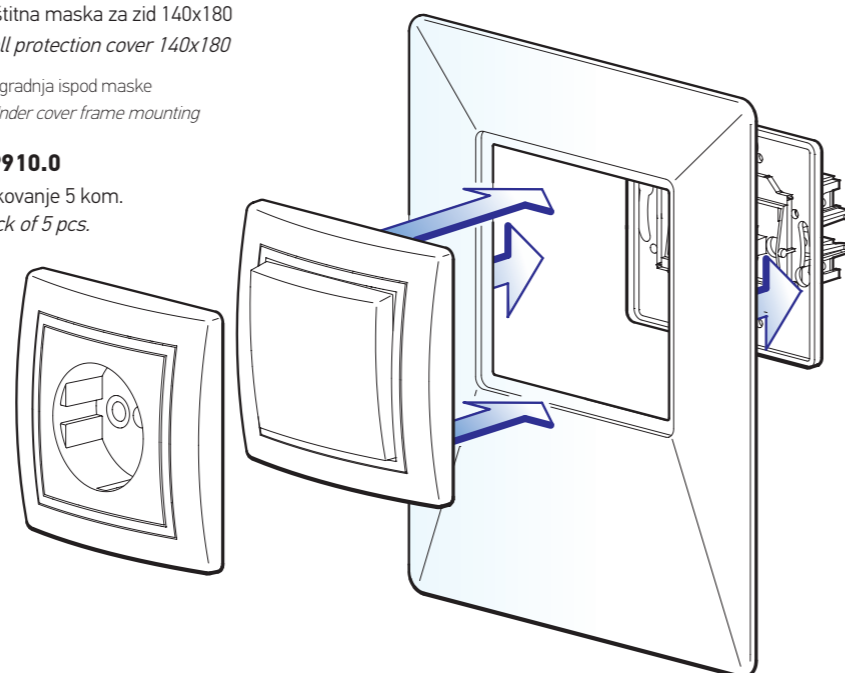
**910.0**

Zaštitna maska za zid 140x180  
*Wall protection cover 140x180*

- Ugradnja ispod maske
- Under cover frame mounting

**PP910.0**

Pakovanje 5 kom.  
*Pack of 5 pcs.*



**PP910.T**  
Pakovanje 5 kom.  
*Pack of 5 pcs.*

**710**

Kutija montažna  
Ø60x60 nizajuća za  
rastojanje 71mm  
*Mounting box  
Ø60x60 for sequencing  
with 71mm step*



**900**

Kutija razvodna 100x100  
poklopac sa vijkom 500V  
*Junction box 100x100  
with screw cover 500V*

- Usaglašeno sa IEC 60670-1,
- Ugradnja u zid
- Complied with IEC 60670-1,
- Flush mounted



**901**

Adapter za ugradnju  
na zid 80x80  
*Adaptor for wall  
mounting 80x80*

- Ugradnja na zid pomoću vijaka,
- Veza sa razvodnim kanalima,
- Mogućnost instalacije pomoću vijaka
- Wall mounted by screws,
- Cable ducts connection,
- Accessory installation by screws

SIJALIČNA GRLA  
LAMP HOLDERS



SIJALIČNA GRLA



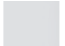
Termoplastična sijalična grla E14 i E27 izrađena su od visokokvalitetnih materijala (PBT i PET sa punjenim staklenim vlaknima), imaju veliku termičku otpornost, elastična su i fleksibilna.


Temperaturna izdržljivost je 180°C i 210° C, a temperaturni simbol ugraviran je na svakom grlu.

Thermoplastic lampholders E14 and E27 are made of high quality materials (PBT and PET with stuffed glass fibers) and have a high temperature resistance.

Temperature resistance is 180 °C and 210 °C. Each lampholder has engraved temperature symbol.

# TERMOPLASTIČNA BEZVIJČANA GRLA E14 THERMOPLASTIC SCREWLESS LAMPHOLDERS E14

**x = 0**  Bela  
White

**x = E**  Crna  
Black

# TERMOPLASTIČNA BEZVIJČANA GRLA E27 THERMOPLASTIC SCREWLESS LAMPHOLDERS E27



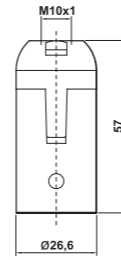
## 11011.x

Grlo E14 viseće  
*Lampholder E14 hanging*

- Navoj za nazuvicu M10x1
- Temperaturna otpornost **T180**
- Threaded M10x1
- Temperature resistance **T180**

## 11012.x

- Temperaturna otpornost **T210**
- Temperature resistance **T210**



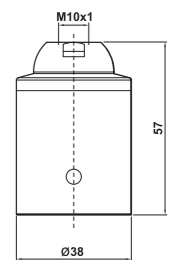
## 12011.x

Grlo E27 viseće  
*Lampholder E27 hanging*

- Navoj za nazuvicu M10x1
- Temperaturna otpornost **T180**
- Threaded M10x1
- Temperature resistance **T180**

## 12012.x

- Temperaturna otpornost **T210**
- Temperature resistance **T210**



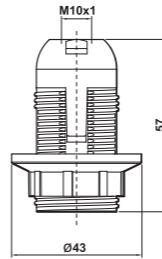
## 11021.x

Grlo E14 luster  
*Lampholder E14 chandelier*

- Navoj za nazuvicu M10x1
- Temperaturna otpornost **T180**
- Threaded M10x1
- Temperature resistance **T180**

## 11022.x

- Temperaturna otpornost **T210**
- Temperature resistance **T210**



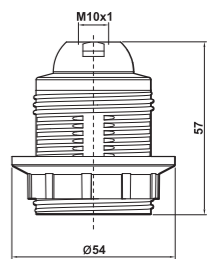
## 12021.x

Grlo E27 luster  
*Lampholder E27 chandelier*

- Navoj za nazuvicu M10x1
- Temperaturna otpornost **T180**
- Threaded M10x1
- Temperature resistance **T180**

## 12022.x

- Temperaturna otpornost **T210**
- Temperature resistance **T210**



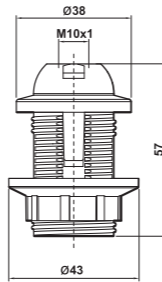
## 11023.x

Grlo E14 luster sa obodom  
*Lampholder E14 chandelier with flange*

- Navoj za nazuvicu M10x1
- Temperaturna otpornost **T180**
- Threaded M10x1
- Temperature resistance **T180**

## 11024.x

- Temperaturna otpornost **T210**
- Temperature resistance **T210**



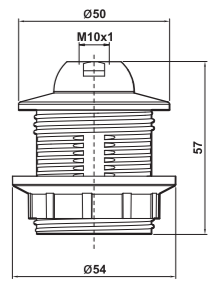
## 12023.x

Grlo E27 luster sa obodom  
*Lampholder E27 chandelier with flange*

- Navoj za nazuvicu M10x1
- Temperaturna otpornost **T180**
- Threaded M10x1
- Temperature resistance **T180**

## 12024.x

- Temperaturna otpornost **T210**
- Temperature resistance **T210**



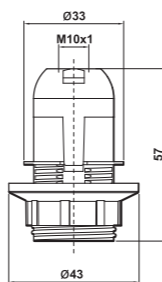
## 11031.x

Grlo E14 luster kratko  
*Lampholder E14 chandelier short*

- Navoj za nazuvicu M10x1
- Temperaturna otpornost **T180**
- Threaded M10x1
- Temperature resistance **T180**

## 11032.x

- Temperaturna otpornost **T210**
- Temperature resistance **T210**



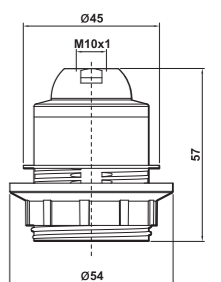
## 12031.x

Grlo E27 luster kratko  
*Lampholder E27 chandelier short*

- Navoj za nazuvicu M10x1
- Temperaturna otpornost **T180**
- Threaded M10x1
- Temperature resistance **T180**

## 12032.x

- Temperaturna otpornost **T210**
- Temperature resistance **T210**



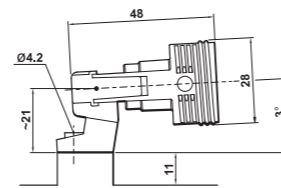
## 11041.x

Grlo E14 stojeće za vijak  
*Lampholder E14 standing for screw*

- Za vezu sa vijkom
- Temperaturna otpornost **T180**
- Connection with screw
- Temperature resistance **T180**

## 11042.x

- Temperaturna otpornost **T210**
- Temperature resistance **T210**



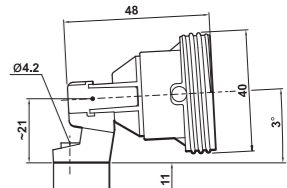
## 12041.x

Grlo E27 stojeće za vijak  
*Lampholder E27 standing for screw*

- Za vezu sa vijkom
- Temperaturna otpornost **T180**
- Connection with screw
- Temperature resistance **T180**

## 12042.x

- Temperaturna otpornost **T210**
- Temperature resistance **T210**



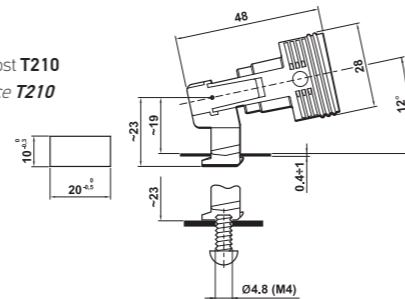
## 11043.x

Grlo E14 stojeće za utiskivanje  
*Lampholder E14 standing for indentation*

- Za vezu utiskivanjem
- Temperaturna otpornost **T180**
- Connection with indentation
- Temperature resistance **T180**

## 11044.x

- Temperaturna otpornost **T210**
- Temperature resistance **T210**



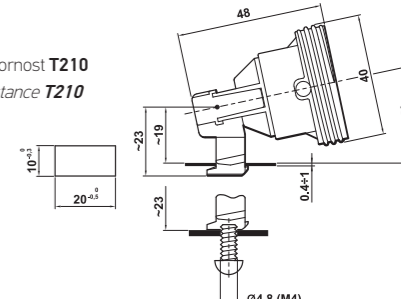
## 12043.x

Grlo E27 stojeće za utiskivanje  
*Lampholder E27 standing for indentation*

- Za vezu utiskivanjem
- Temperaturna otpornost **T180**
- Connection with indentation
- Temperature resistance **T180**


## 12044.x

- Temperaturna otpornost **T210**
- Temperature resistance **T210**



## TERMOPLASTIČNA BEZVIJČANA GRLA E27 THERMOPLASTIC SCREWLESS LAMP HOLDERS E27

**x = 0**  Bela  
White

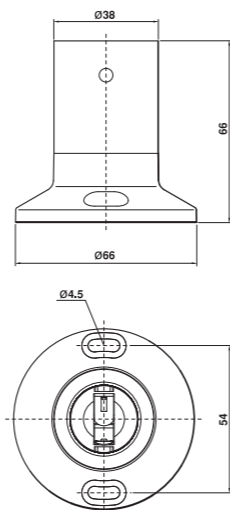
**x = E**  Crna  
Black



**12013.x**  
Grlo E27 zidno - ravno  
*Lampholder E27 for wall - flat*

- Za vezu sa vijkom
- Temperatura otpornost **T180**
- *Connection with screw*
- *Temperature resistance T180*

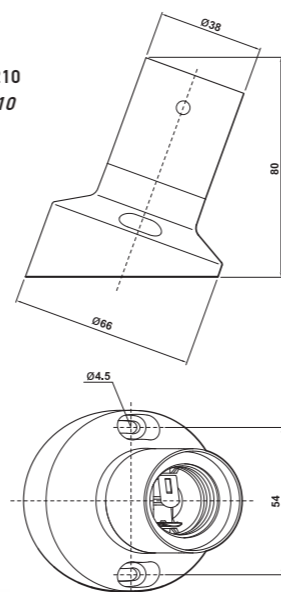
**12014.x**  
• Temperatura otpornost **T210**  
• *Temperature resistance T210*



**12015.x**  
Grlo E27 zidno - koso  
*Lampholder E27 for wall - aslope*

- Za vezu sa vijkom
- Temperatura otpornost **T180**
- *Connection with screw*
- *Temperature resistance T180*

**12016.x**  
• Temperatura otpornost **T210**  
• *Temperature resistance T210*

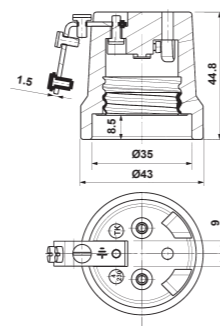


## KERAMIČKA GRILA E27 CERAMIC LAMP HOLDERS E27



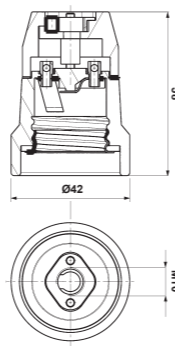
**1300**  
Grlo E27 stojeće  
*Lampholder E27 standing*

- sa metalnim nosačem
- *with metal bracket*



**1330**  
Grlo E27 viseće  
*Lampholder E27 hanging*

- Navoj za nazuvicu M10x1
- *Threaded M10x1*



## SADRŽAJ KATALOGA THE CATALOG CONTENT

4 **POWER line**

16 **ARMOR line**

25 **ALING OG**

28 **PRIKLJUČNI PRIBOR  
CONNECTING ACCESSORIES**

35 **INSTALACIONI PRIBOR  
INSTALLATION ACCESSORIES**

39 **SIJALIČNA GRILA  
LAMP HOLDERS**



 **ALING-CONEL**

a: Železnička 10, 21432 Gajdobra, Serbia

t: +381 21 762 674, 762 586

f: +381 21 762 779

e: [sales@aling-conel.com](mailto:sales@aling-conel.com)

[www.aling-conel.com](http://www.aling-conel.com)